

BENEFITS

OF

GREENS

URBAN



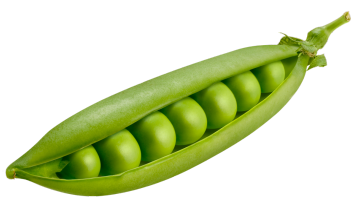
RAISED GARDEN



In many regions raised gardens enable you to plant earlier and grow longer because the soil above the ground is warmer.



Raised Garden beds prevent soil compaction and provide good drainage.



Because each raised garden is contained, you can access from any angle, reaching every plant.



If a weed barrier is added before soil, you will have little to no weeds.



Raising soil levels reduces back strain.



Because the garden is contained, there is less soil erosion.



Raised Garden beds use water more efficiently because of the light, air filled (non compacted) soil.



Raised Gardens are aesthetically pleasing.

4' x 2' x 15 1/2"
(1.2 m x 0.6 m x 39 cm)

Greens **URBAN** Garden

Instruction Manual



Congratulations!

We're thrilled that you chose to purchase a Vita Garden. We're sure that you'll not only grow healthy foods but you'll have fun too.

Your new Vita Garden is a fantastic investment for many reasons:

1. Grow your own healthy organic foods
2. Reduce your water consumption
3. Naturally control weeds
4. Plant earlier (the soil warms faster)
5. Far easier on your back

Warranty

We want you to know that your new garden has a 10 year warranty against:

1. Yellowing
2. Rotting

Maintenance is non-existent as a simple spray with a garden hose will clean the bed from dirt, so you can spend more time growing food than maintaining your garden beds.

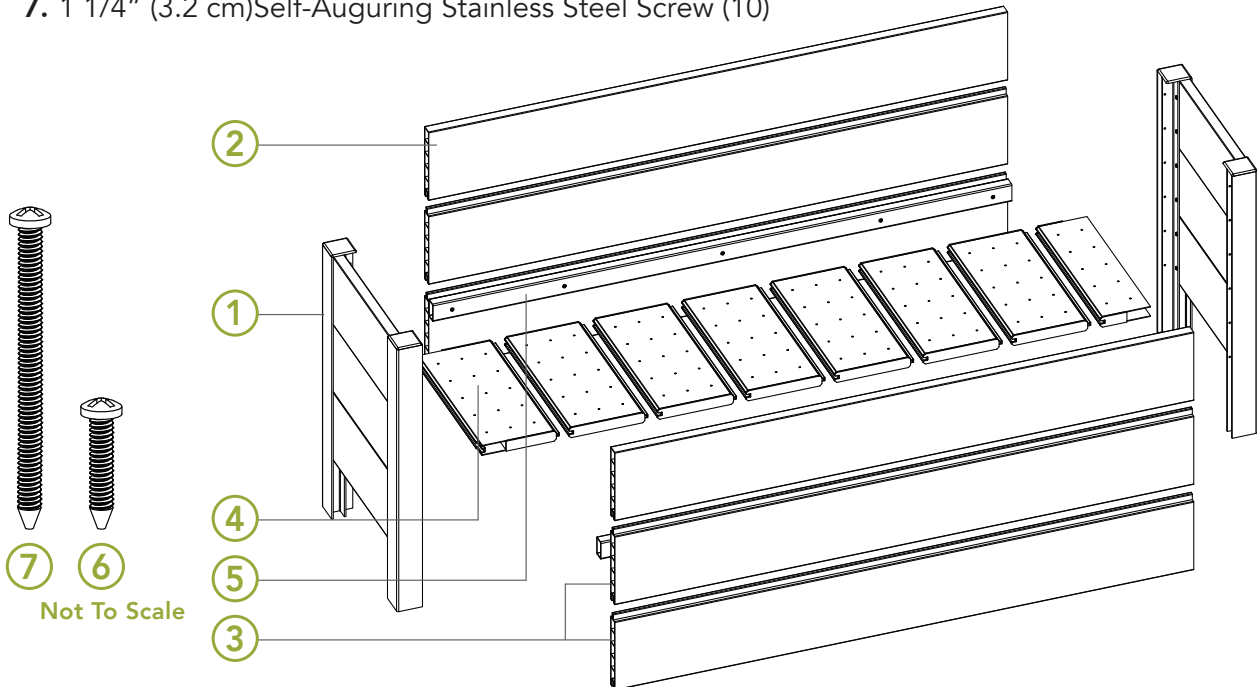
If you have any questions about your warranty or with your product, please call our customer service department at 1.844.880.VITA (8482), Mon. to Fri. 8:00 AM to 4:00 PM EST.

(UK Tel: (44) 2038 687160 - Mon. to Fri. 1:00 PM to 10:00 PM GMT).

Box Contents

Before you begin, please check the box for these contents. In the event of missing or defective parts please call our customer service department at 1.844.880.VITA (8482) Mon. to Fri. 8:00 AM to 4:00 PM EST. (UK Tel: (44) 2038 687160 - Mon. to Fri. 1:00 PM to 10:00 PM GMT).

1. Pre-assembled Side Panels (2)
2. Front and Back Panel Boards (2)
3. Front and Back Panel Boards - Middle and Bottom (4)
4. Pre-assembled Floor Boards (8)
5. Support Rails (2)
6. 1/2" (1.3 cm) Self-Auguring Stainless Steel Screw (24)
7. 1 1/4" (3.2 cm) Self-Auguring Stainless Steel Screw (10)

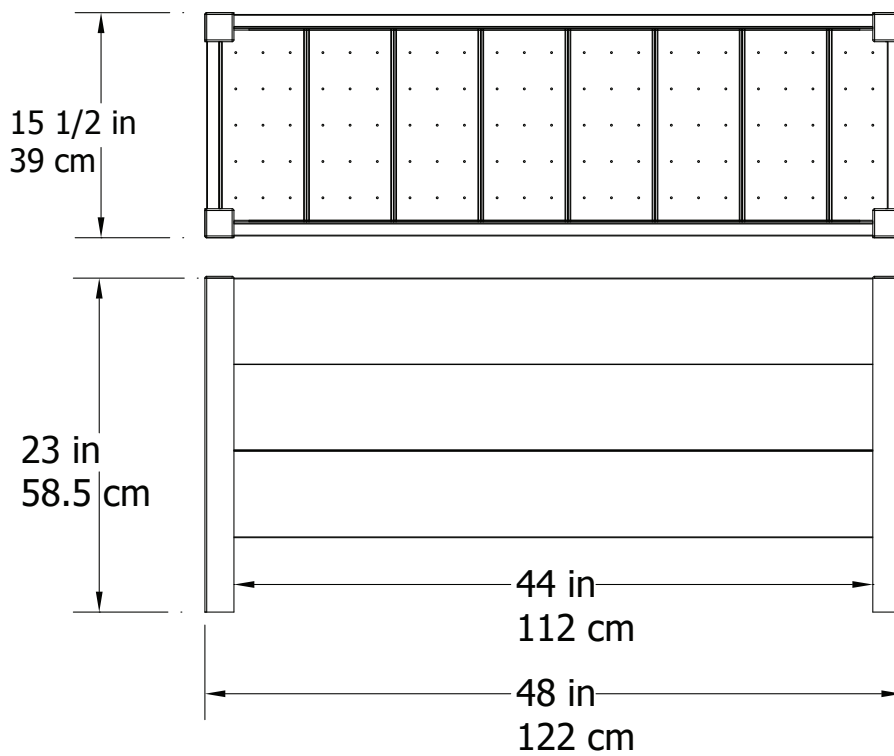
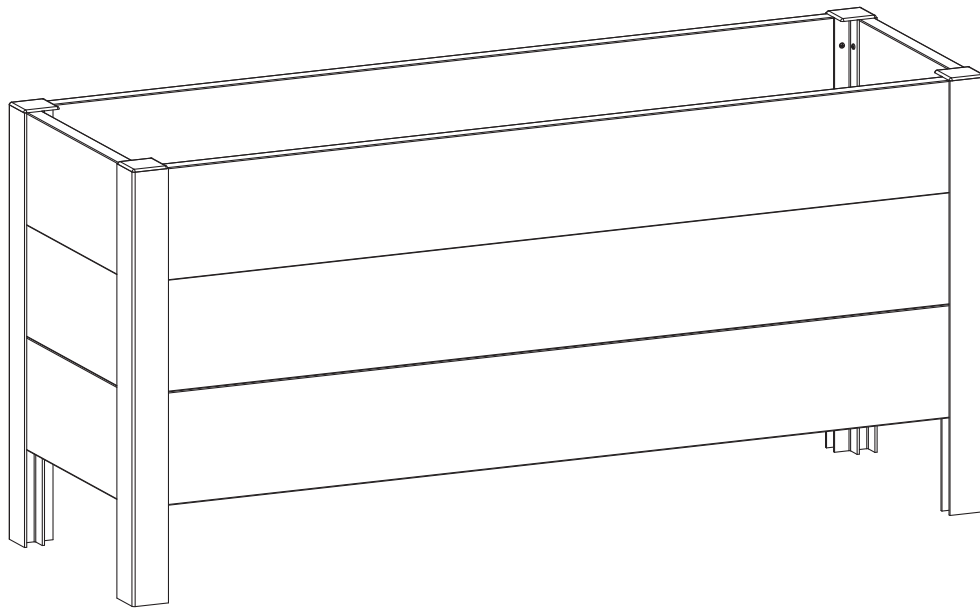


General Info

- **Read Instructions through carefully before beginning assembly.**
- When assembling components, place on a non-abrasive surface (*i.e. shipping box*) to avoid scratching.
- We recommend an area approx 4'x 8' (1.2 m x 2.4 m) for unobstructed assembling.
- You should not need to use excessive force when assembling components.

Dimensions

4' x 23" x 15 1/2" (1.2 m x 0.6 m x 39 cm) – Greens Urban Garden



Getting started

Follow these simple instructions to assemble your new Greens Urban Garden.

1. Recycle your cardboard box packaging with your local recycling facility. This box has been printed using environmentally friendly inks.
2. Fill new garden with organic soil. We usually recommend a mixture of 1/3 Vermiculite to 1/3 Compost to 1/3 Peat Moss or Coconut Coir.
3. Plant your veggies. Your local nursery for the best vegetables for the growing zone that you live in.

If you have any assembly, installation or warranty issues please call us toll-free at 1.844.880.VITA (8482) between 8:00 AM - 4:30 PM Monday to Friday EST. (UK Tel: (44) 2038 687160 - Mon. to Fri. 1:00 PM to 10:00 PM GMT) You'll get a real live person and we'll solve your issue faster than you can say **Organic!**

Be sure to visit VitaGardens.com for tips and suggestions.

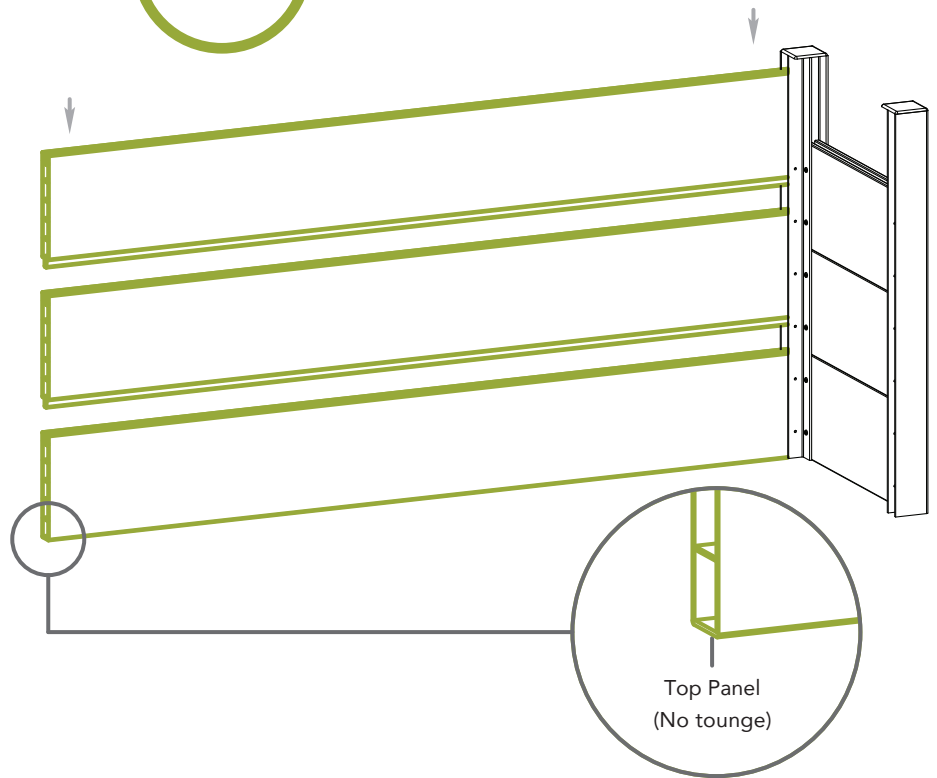
Happy Growing!

1

Step 1A

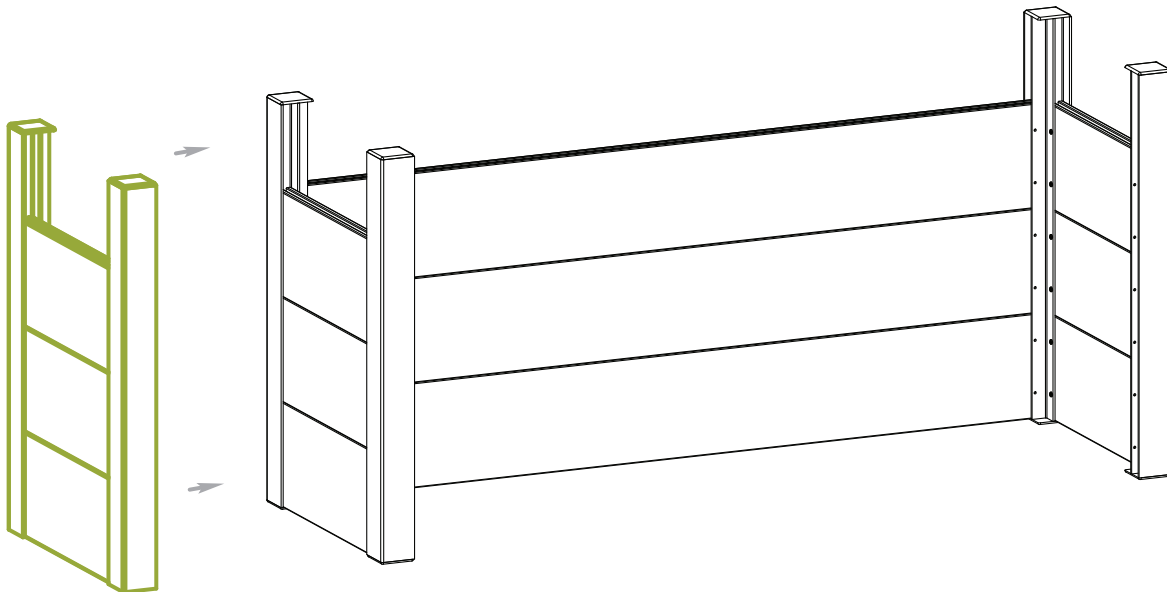
Position the pre-assembled side panel upside down as illustrated and insert the top front or back panel into the post as shown, followed by two middle and bottom panels.

Please note the difference between the Top Panel and the two Middle and Bottom Panels.



Step 1B

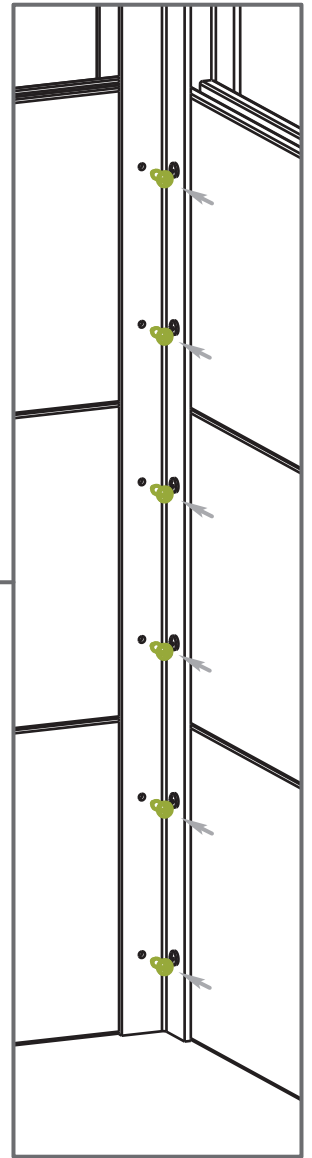
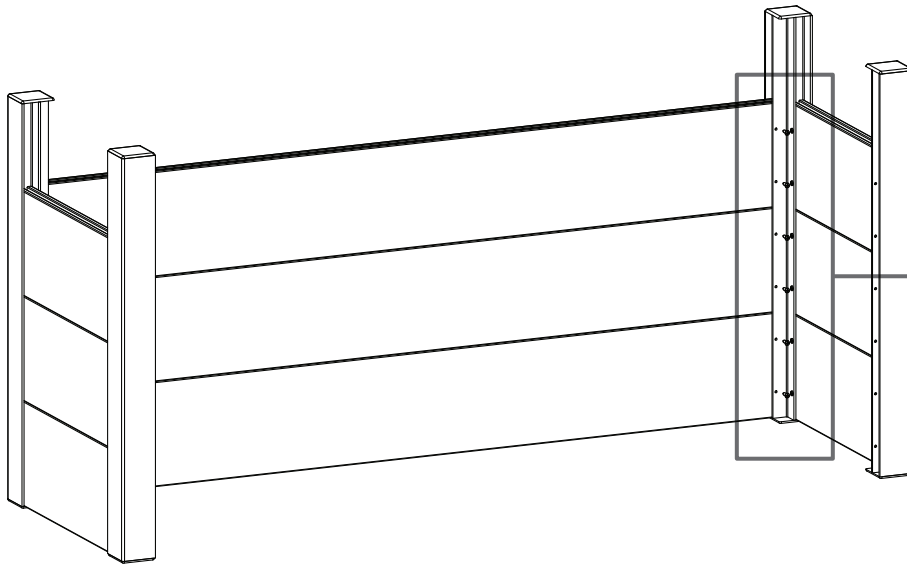
Attached the second side panel until all the rails bottom out inside the post groove.



2

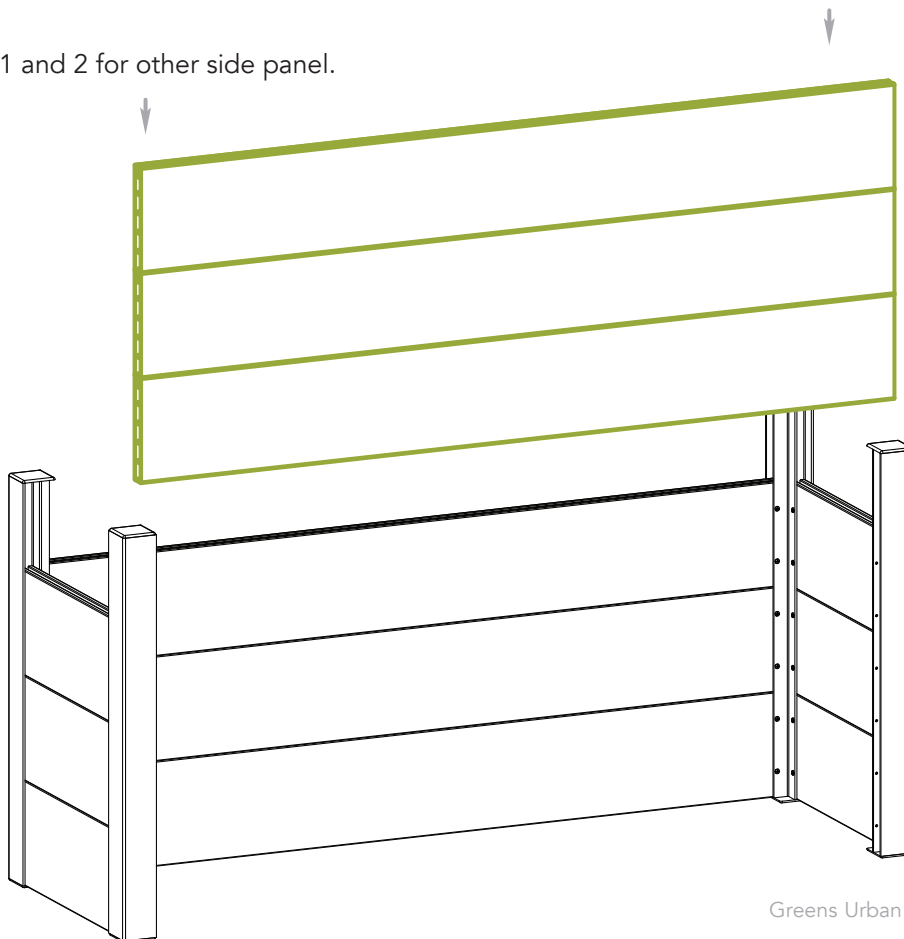
Step 2A

Fasten the posts and panels together using 12 of the short screws as illustrated.



Step 2B

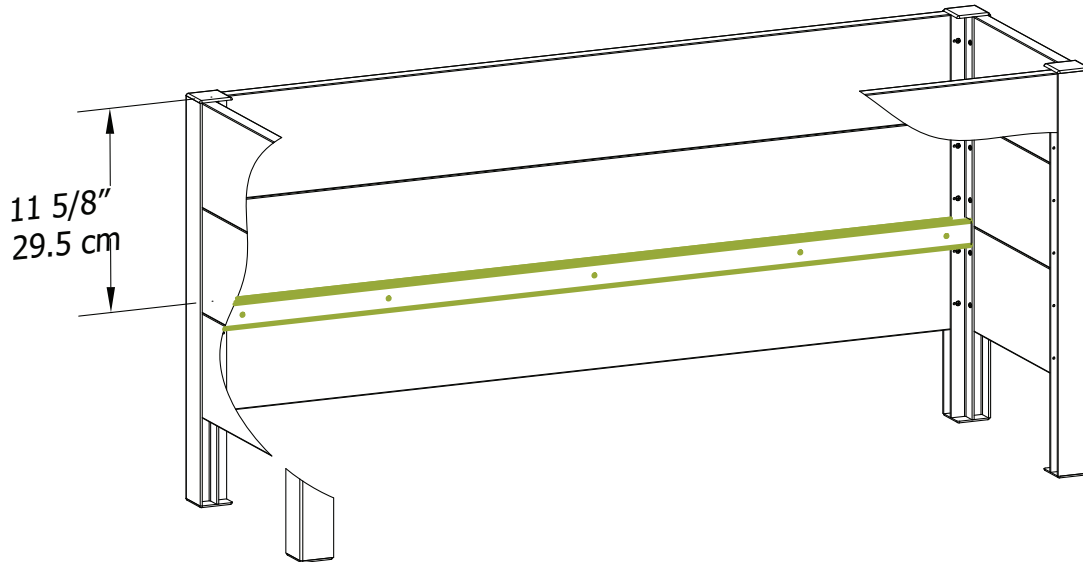
Repeat steps 1 and 2 for other side panel.



3

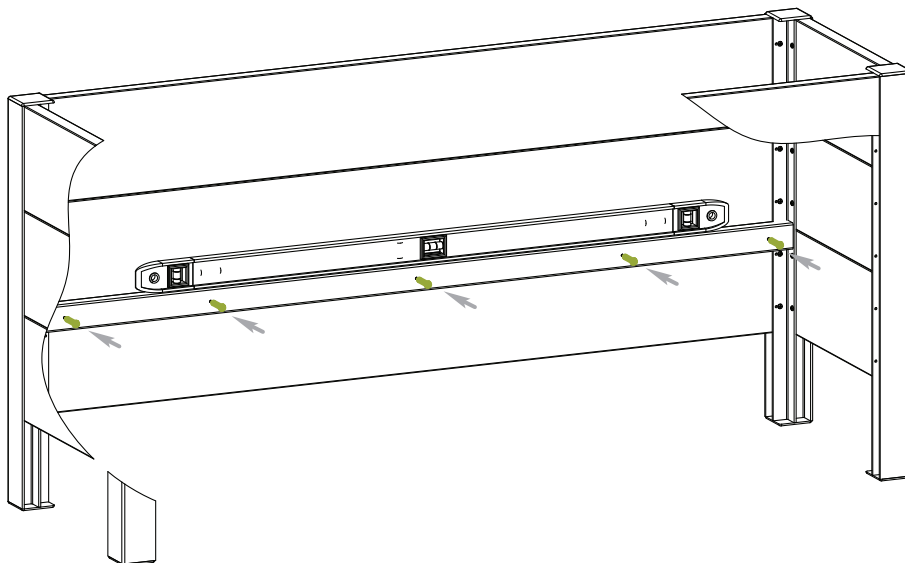
Step 3A

With a helper, flip the garden assembly on its legs as shown. Measure 11 5/8" (29.5 cm) from the top and place a support rail as illustrated.



Step 3B

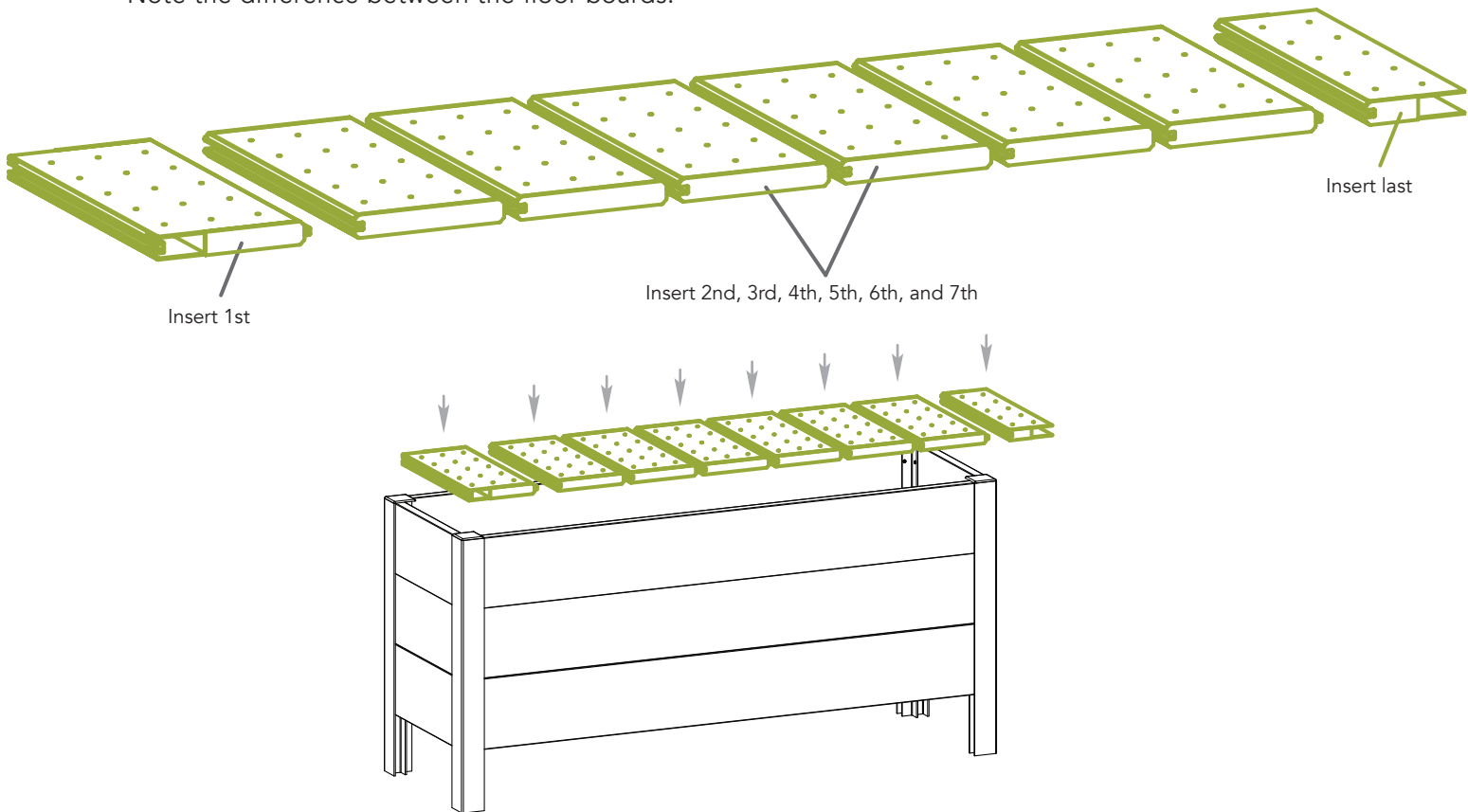
Level the support rail and fasten with 5 of the long screws through the pre-drilled holes. Repeat for second support rail.



4

Step 4A

One by one, insert the pre-assembled floor boards in the order shown. Note the difference between the floor boards.





www.vitagardens.com