



Multiple USB Charging Ports

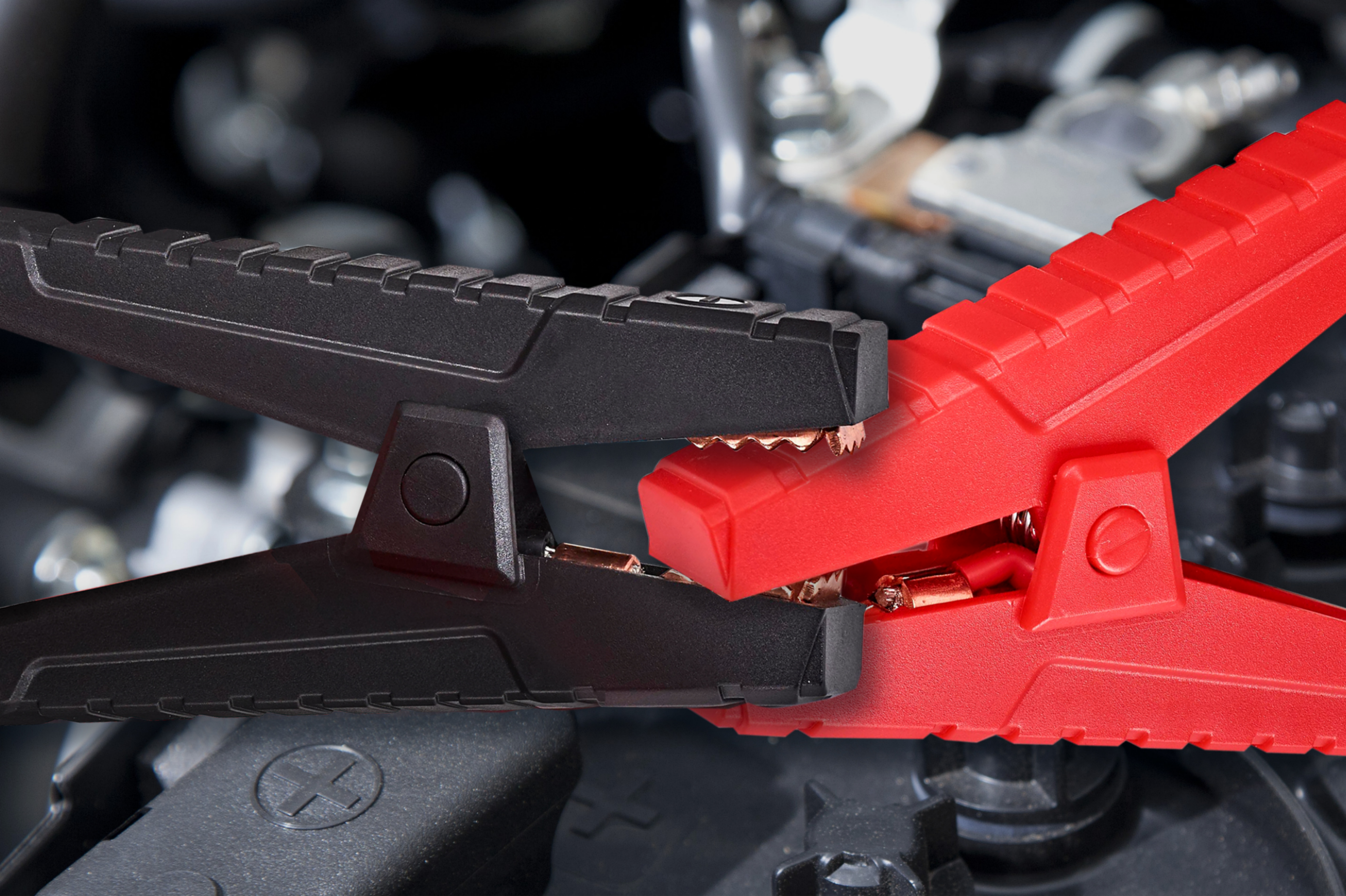
Recharge smartphones, tablets and other USB powered devices.
Type-C port supports 18W power delivery.

Wide Compatibility

Ideal for up to 6.0 L gasoline
and 2.0 L diesel engines.

Suitable For:





Portable Jump Starter With Safety Protection

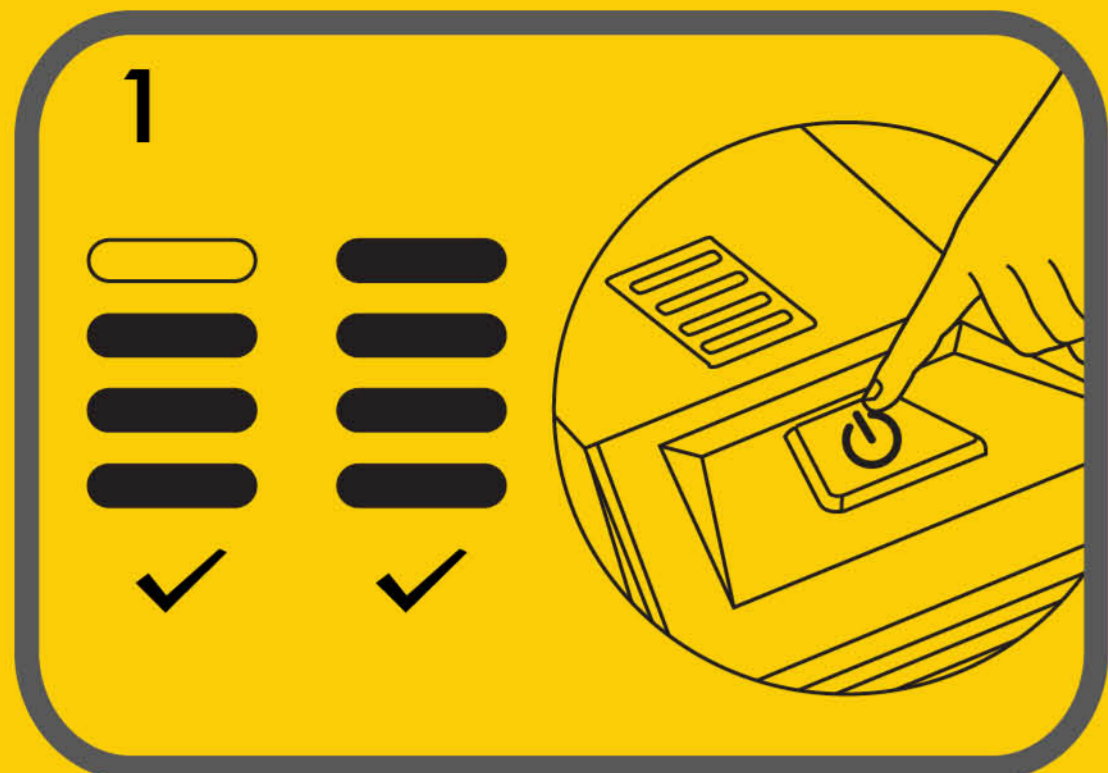
Portable Automotive Jump Starter with 10 built-in safety features including spark, reverse polarity, high-temperature, over-current and over-voltage protection.



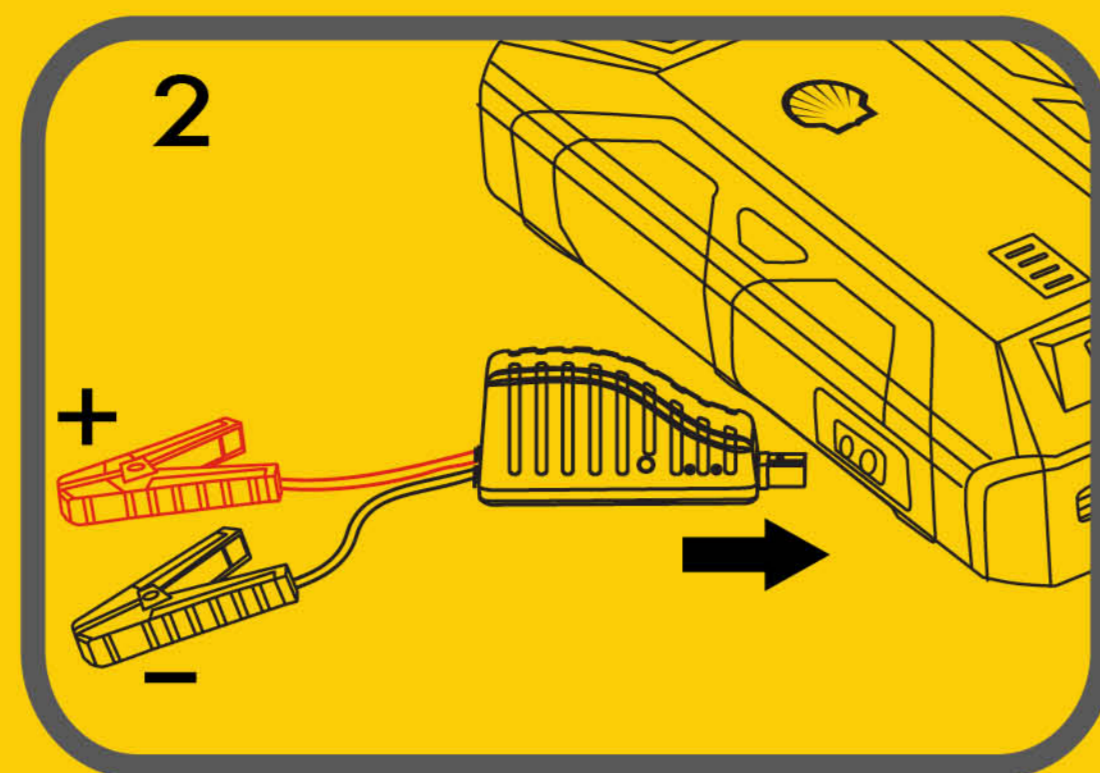
Included in Your Jump Starter Kit

- Jump Starter
- Smart Jumper Cable
- User guide
- Micro-USB cable
- Type-C USB cable
- EVA case

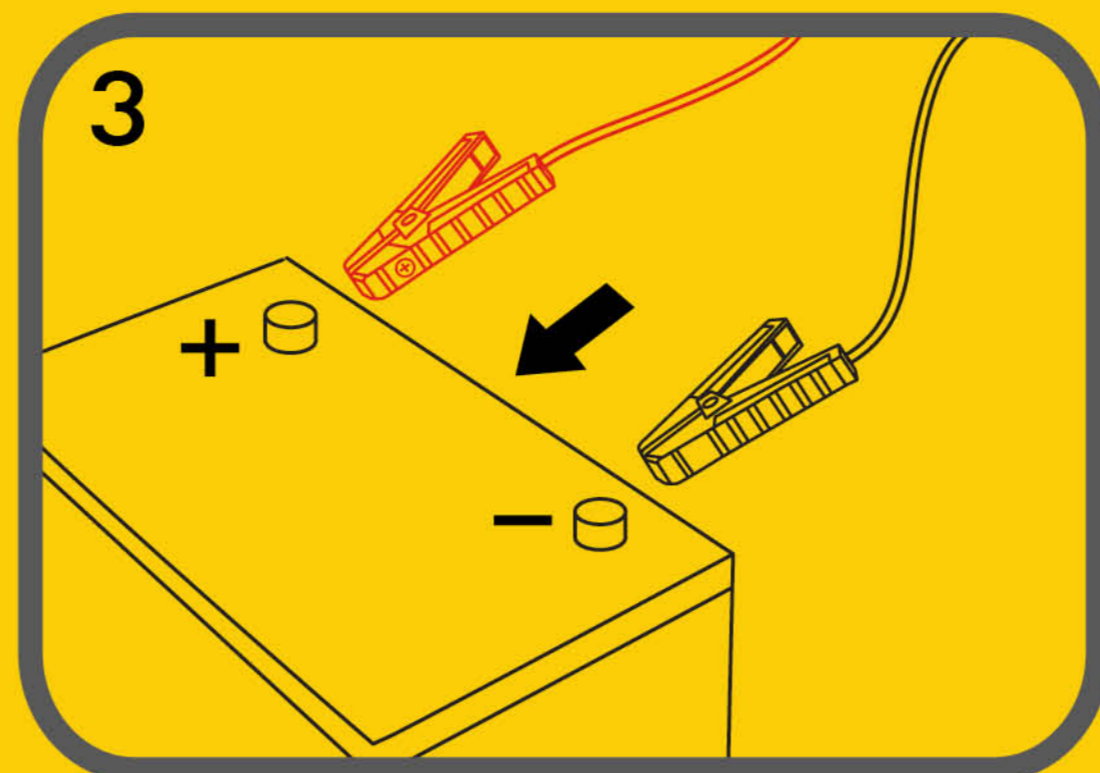
How to Jump Start Your Vehicle



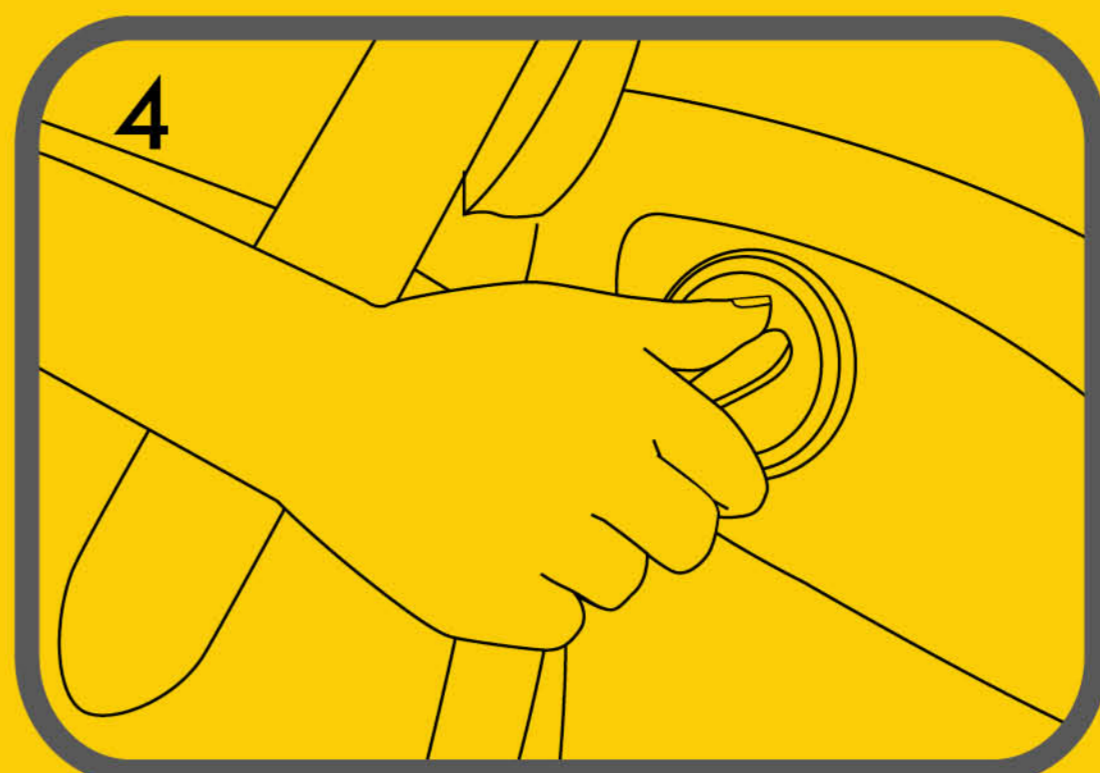
Switch on the Jump Starter



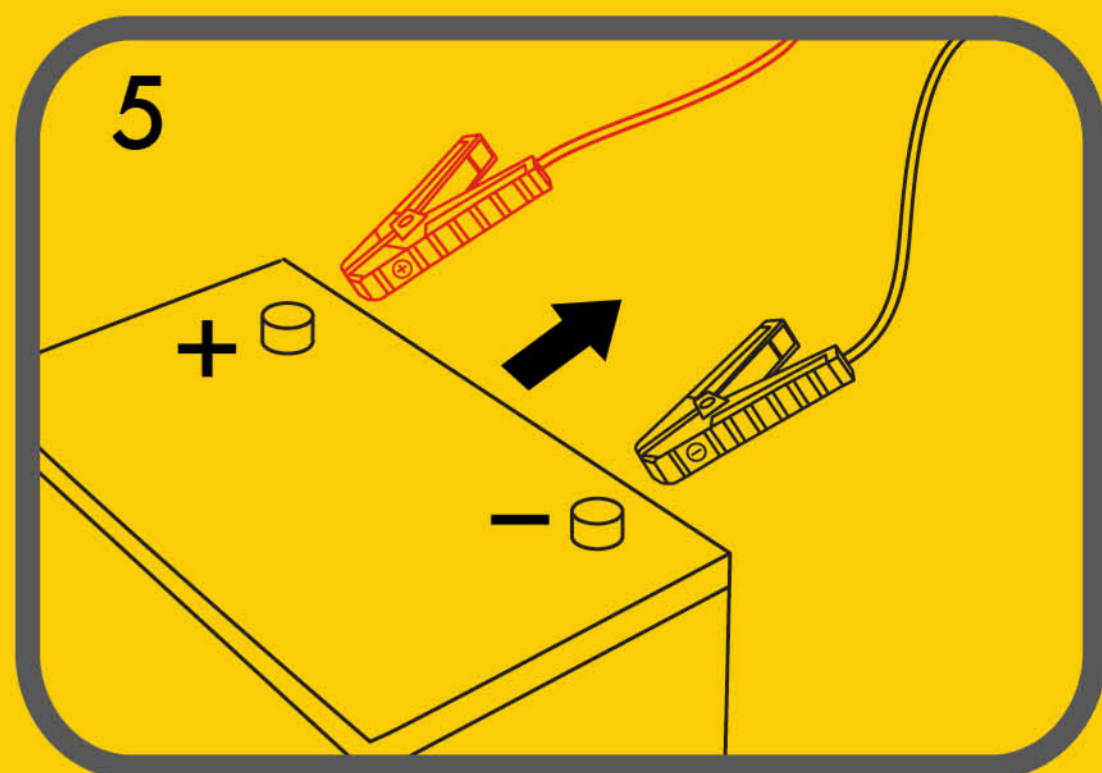
Insert the connector into the Jump Starter



Connect the clamps to the battery



Start the engine



Remove the clamps

