

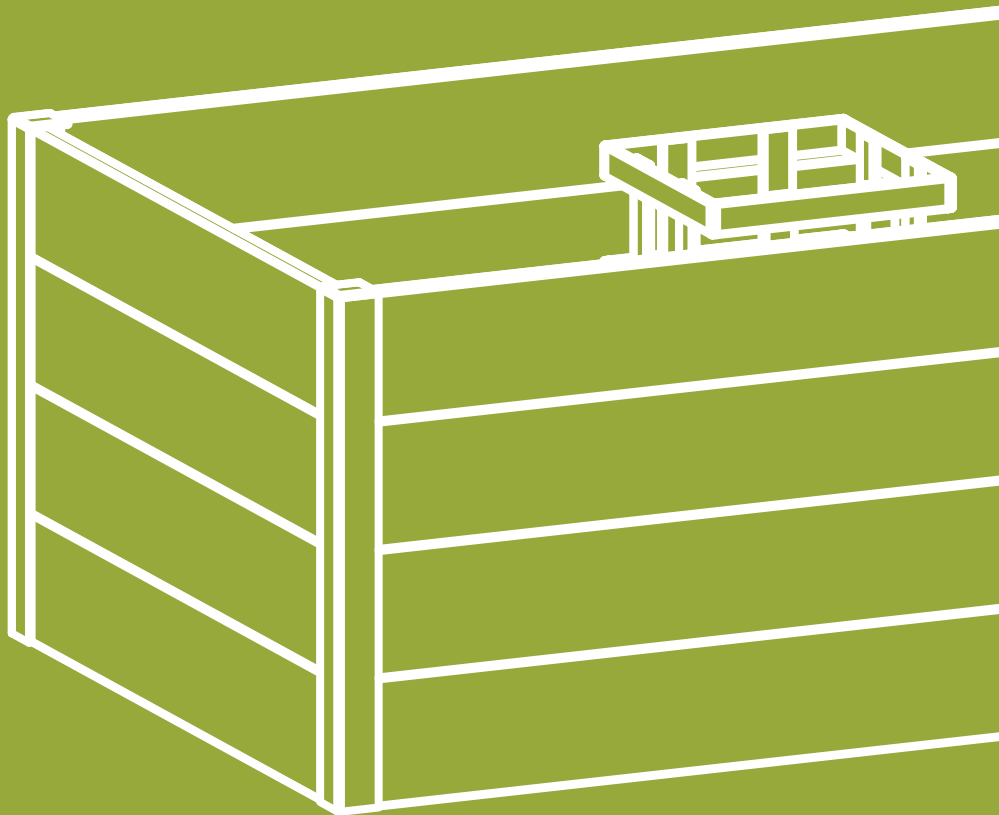
3' x 5'

(91 cm x 152 cm)

# KEYHOLE

... GARDEN ...

VT17000



**vita**

The world needs vegetables.

# Congratulations!

---

We're thrilled that you chose to purchase a Vita Keyhole Garden. We're sure that you'll not only grow healthy foods but you'll have fun too.

Keyhole Gardening is a gardening technique native to many communities in Africa. It's used particularly in Rwanda, Uganda, Tanzania and Kenya. The design is such that it requires considerably less water than traditional gardens making perfect in drought prone areas. In addition to using less water, it also allows you to compost and grow in the same garden. This reduces your daily household waste and in turn reduces greenhouse gases.



**Kageyo Garden Project**

With your Keyhole Garden purchase you are also supporting a great cause - helping us build Keyhole Gardens in Rwanda through the Kageyo Garden Project.

Our goal is to *build 500 Keyhole Gardens* in the village of Kageyo, Rwanda. In 2015 we have already built 55 Keyhole Gardens and the community is immediately benefitting with better health through the introduction of vegetables.

Follow the journey at [www.VitaGardens.com/Rwanda](http://www.VitaGardens.com/Rwanda)

## A Great Investment

---

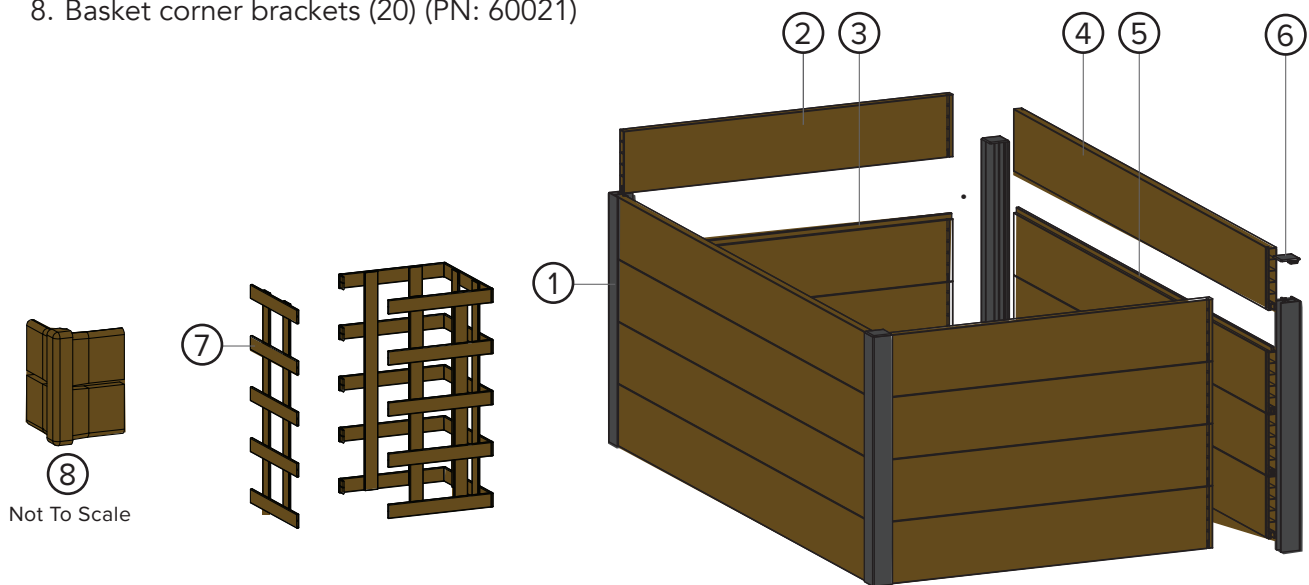
Your new Vita Keyhole Garden is a fantastic investment for many reasons:

1. Growing your own healthy organic foods is healthy, cost effective and fun
2. Reduce your kitchen waste and greenhouse gasses
3. Create your own garden soil with easy composting
4. Reduce your water consumption
5. Naturally control weeds
6. Plant earlier (the soil warms faster)
7. Far easier on your back

# Box Contents

Before you begin, please check the box for these contents. In the event of missing or defective parts please call our customer service department at 1.844.880.VITA (8482) Mon. to Fri. 8:00 AM to 5:00 PM EST. UK: (44) 2038 687160 1 PM - 10 PM GMT

1. Aluminum Posts (4) (PN: 60022)
2. Side panels-top (trimmed) (2) - 7/8" x 6" x 37 3/4" (2.2 cm x 15 cm x 96 cm) (PN: 60024)
3. Side panels-bottom (with tongue) (6) - 7/8" x 6" x 37 3/4" (2.2 cm x 15 cm x 96 cm) (PN: 60026)
4. Long panels-top (trimmed) (2) - 7/8" x 6" x 57 3/4" (2.2 cm x 15 cm x 147 cm) (PN: 60025)
5. Long panels-top (with tongue) (6) - 7/8" x 6" x 57 3/4" (2.2 cm x 15 cm x 147 cm) (PN: 60027)
6. Aluminum Post caps (4) (PN: 60023)
7. Basket side panels (4) (PN: 60020)
8. Basket corner brackets (20) (PN: 60021)



## General Info

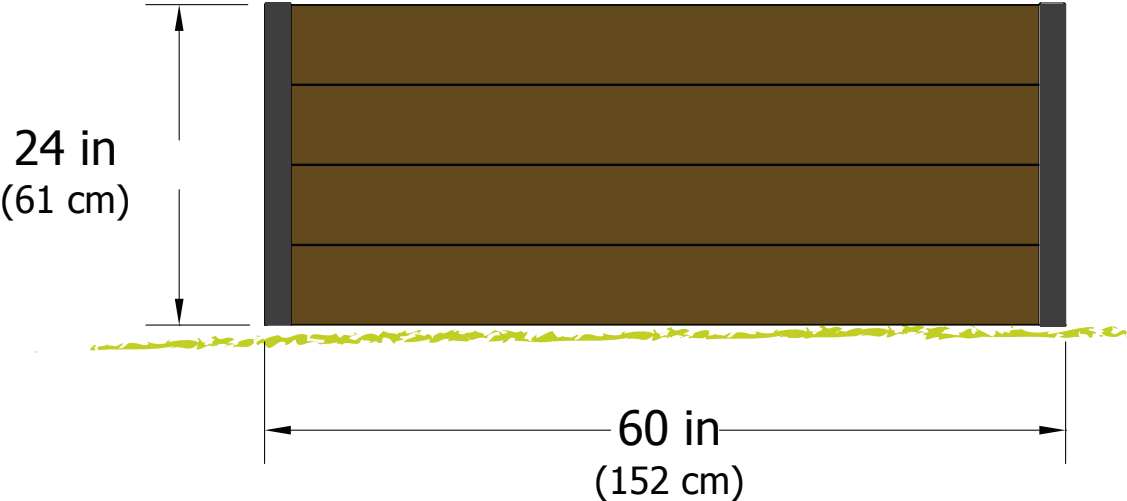
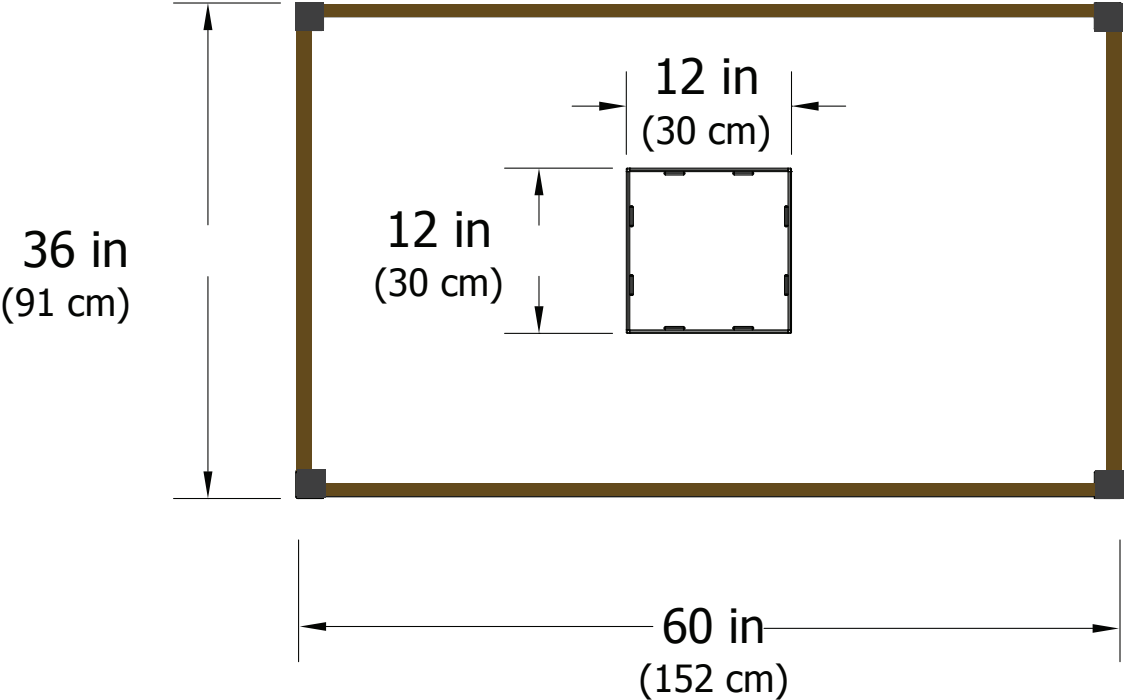
- **Read Instructions through carefully before beginning assembly**
- When assembling components, place on a non-abrasive surface (*i.e. shipping box*) to avoid scratching.

We recommend an area approx 48" x 96" (122 cm x 244 cm) for unobstructed assembling.

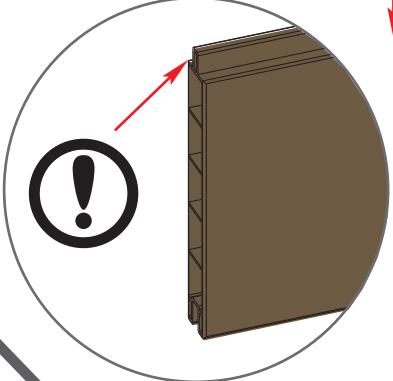
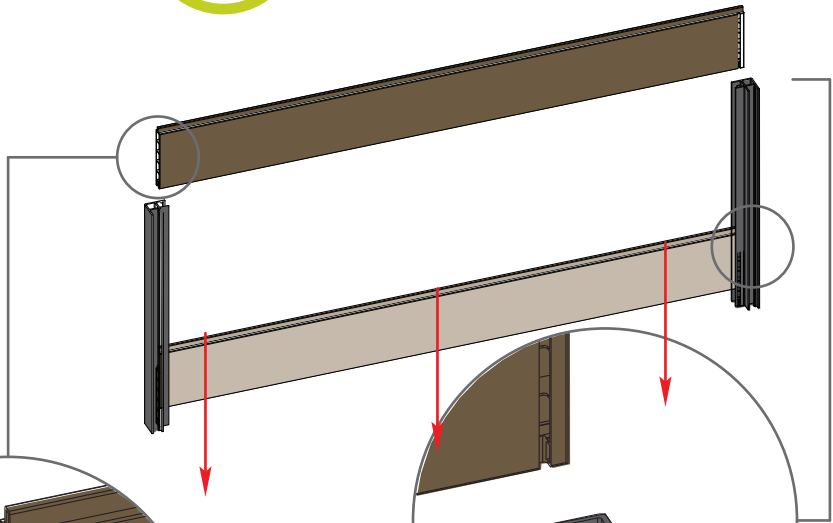
You should not need to use excessive force when assembling components.

# Dimensions

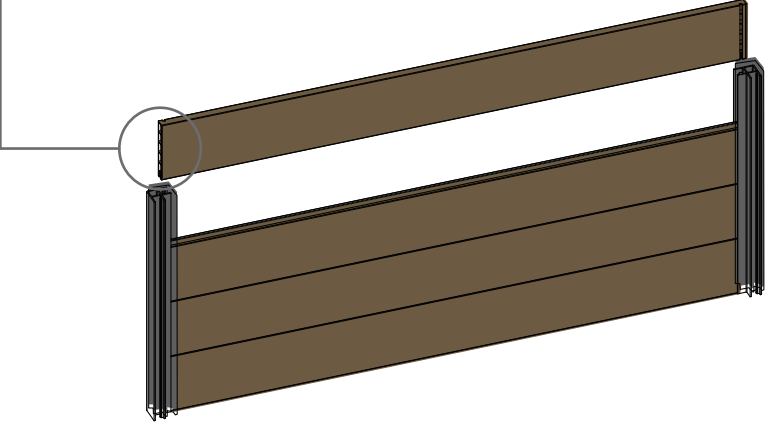
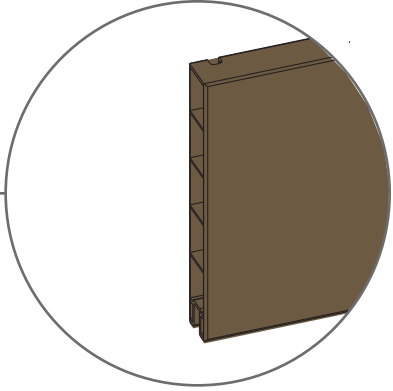
3' x 5' x 22" (91 cm x 152 cm x 61 cm) – Keyhole Garden



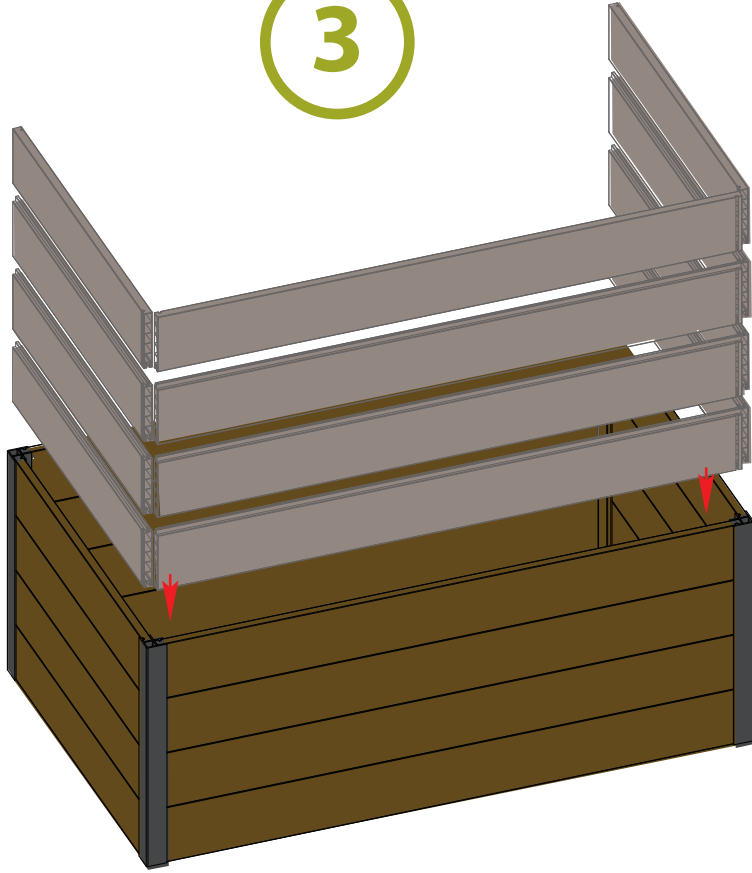
1



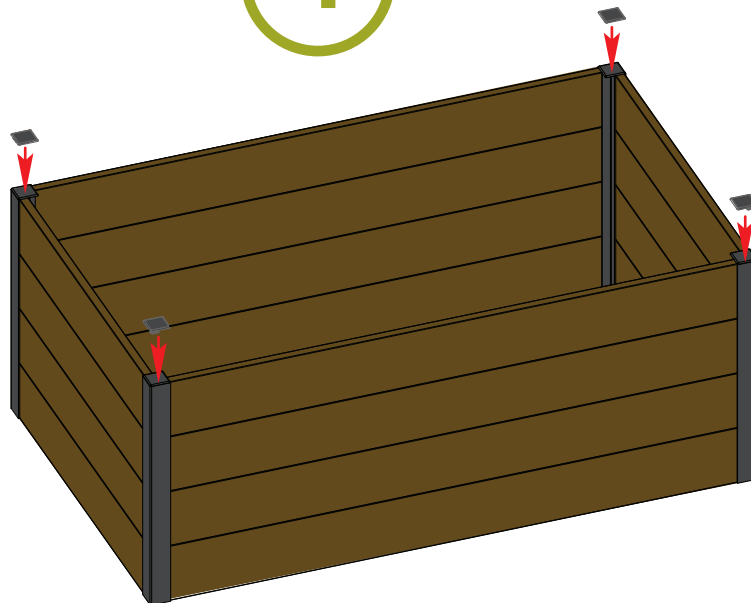
2

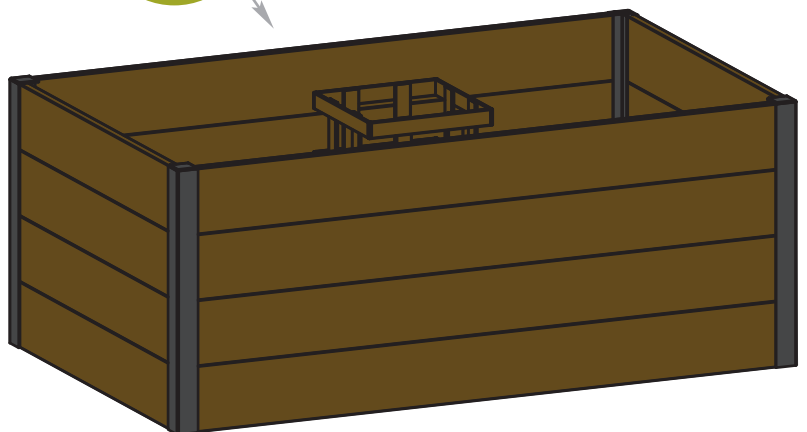
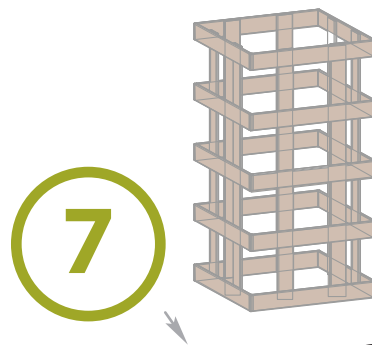
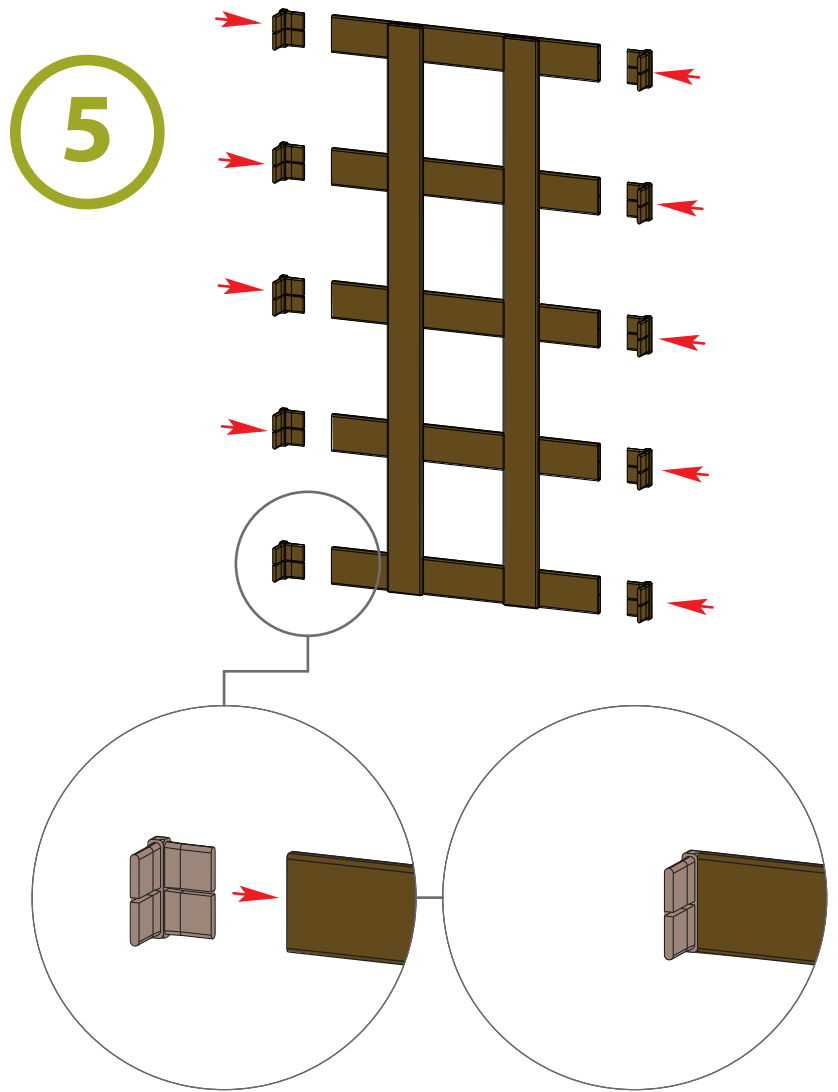
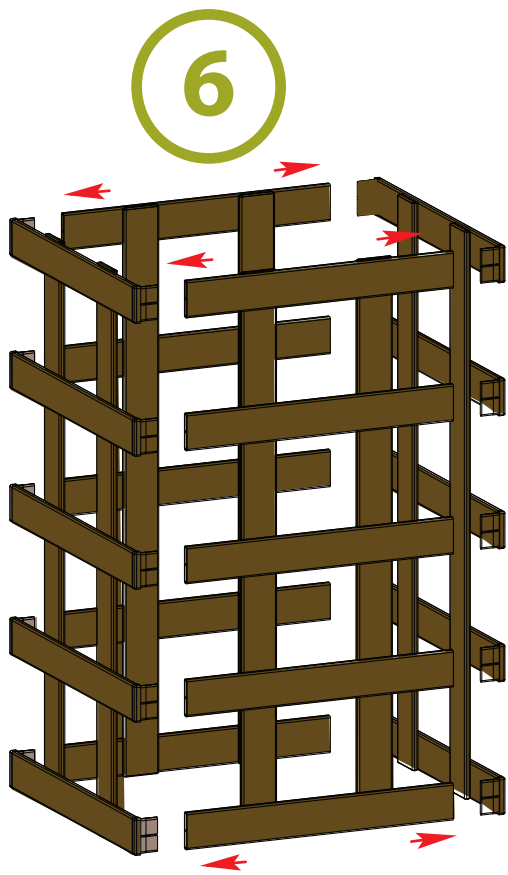


3



4





# Warranty

We want you to know that your new Keyhole Garden has a 10 year warranty against:

1. Yellowing
2. Fading
3. Rotting

Maintenance is non-existent as a simple spray with a garden hose will clean the bed from dirt, so you can spend more time growing food than maintaining your garden beds.

If you have any questions about your warranty or about Vita products please call our customer service department at 1.844.880.VITA (8482) Mon. to Fri. 8:00 AM to 5:00 PM EST. UK: (44) 2038 687160 1 PM - 10 PM GMT

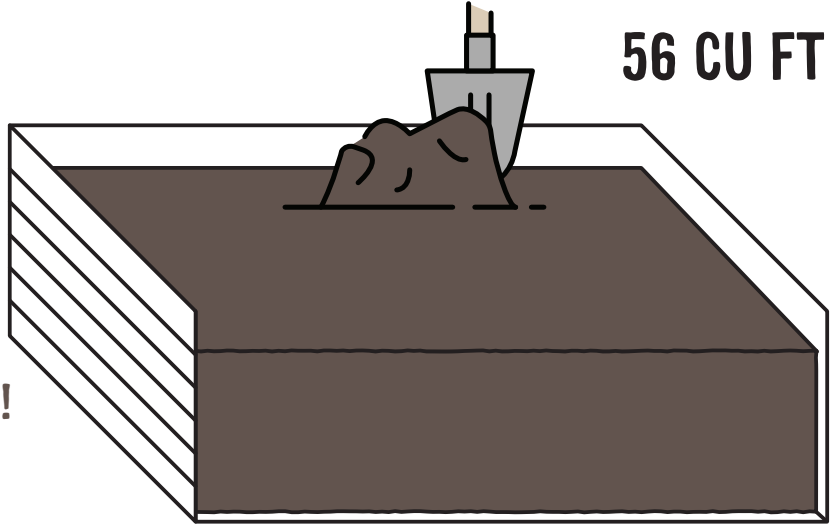
Happy Growing!



**A**

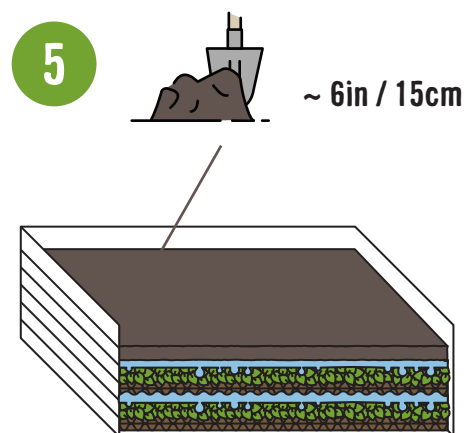
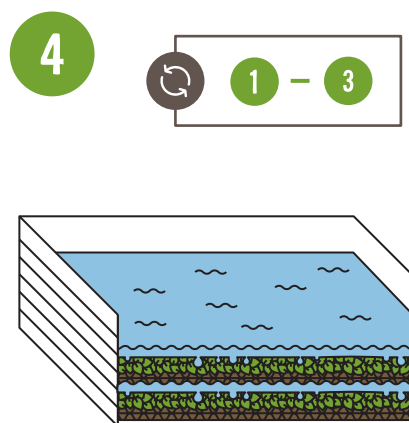
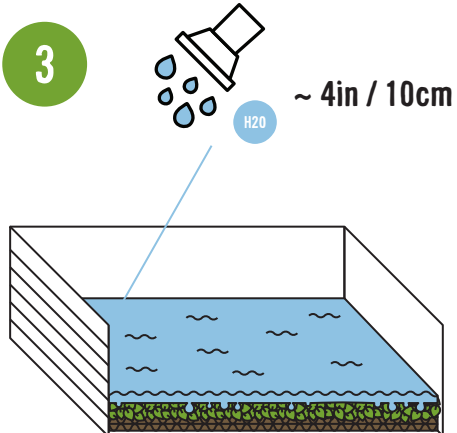
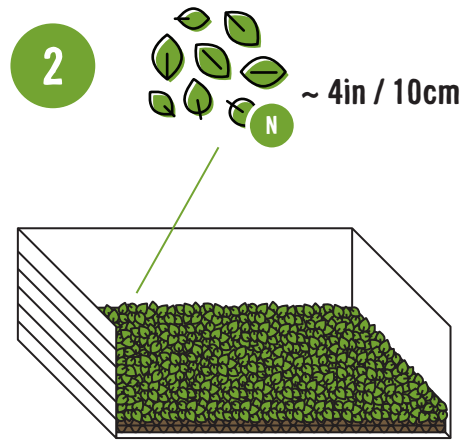
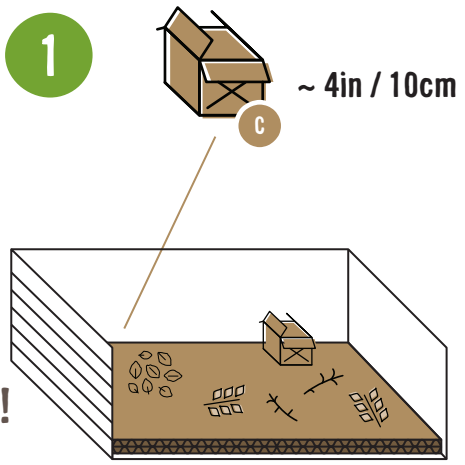
56 CU FT (1.6m)

**FILL WITH SOIL!  
MIT ERDE FÜLLEN!  
RIEMPI CON TERRA!  
REPLISSEZ-LE DE TERREAU!  
ILLENAR CON LA TIERRA!**



**B**

**MAKE YOUR OWN SOIL!  
PRODUZIEREN SIE EIGENE ERDE!  
PRODUCI LA TUE TERRA!  
CRÉEZ VOTRE PROPRE TERREAU!  
ICREA TU PROPRIA TIERRA!**



# NITROGEN



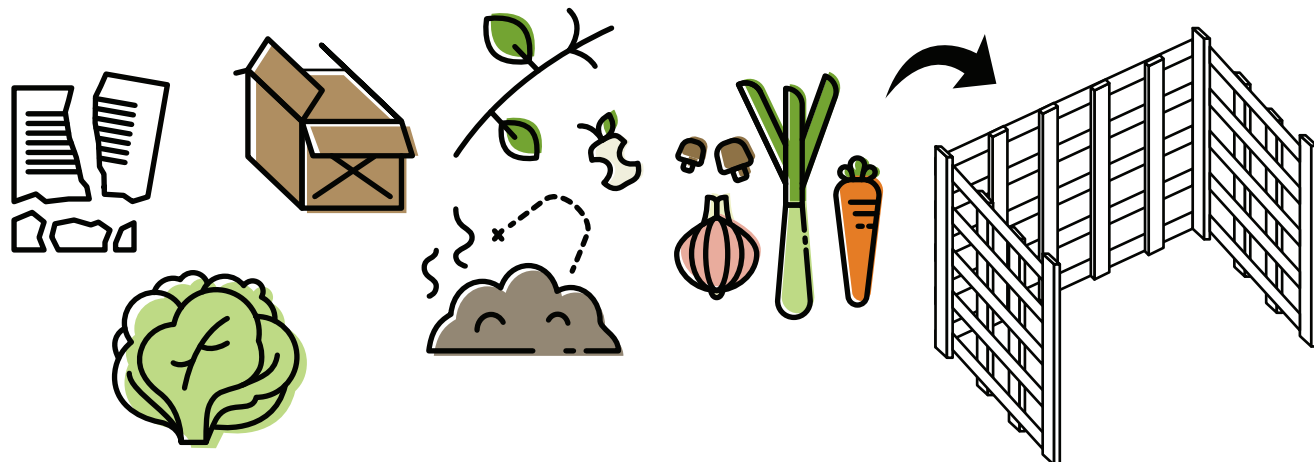
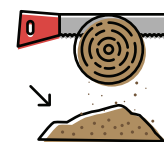
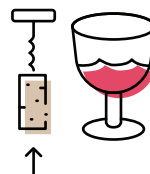
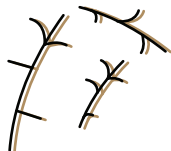
N



# CARBON



C





**vita**

The world needs vegetables.

[www.vitagardens.com](http://www.vitagardens.com)



**KEY  
HOLE  
GARDEN**



# THE KEYHOLE GARDEN STORY

**AN IDEA THAT SEEMS TOO GOOD TO BE TRUE: A GARDEN THAT USES LESS WATER- COMPOST AND GARDEN IN THE SAME VESSEL. ONE SINGLE UNIT. COMPACT AND ABUNDANT.**

WE WANTED TO MAKE GROWING HEALTHY ABUNDANT FOOD POSSIBLE, FOCUSING ON AREAS WHERE IT HAS BEEN LACKING (E.G. POOR SOIL OR DROUGHT AREAS) AND ALSO TO HELP PEOPLE WHO STRUGGLE WITH MOBILITY ISSUES. IT SOON BECAME CLEAR THE KEYHOLE GARDEN WAS THE PERFECT SOLUTION AND WE INTRODUCED IT INTO OUR LINE FOR 2015.

WE ALSO WANTED TO 'GIVE BACK', BUT MORE THAN JUST A CORPORATE NOD AND WRITING A FEW CHECKS. WE WANTED TO BE INVOLVED PERSONALLY AND ON A LONG TERM BASIS.

IN JULY, 2015 WE WERE THRILLED TO TAKE OUR FIRST TRIP TO RWANDA AND BUILD OUR FIRST KEYHOLE GARDENS. YOU CAN READ ALL ABOUT THIS VISIT:

**[WWW.VITAGARDENS.COM/RWANDA](http://WWW.VITAGARDENS.COM/RWANDA)**

WE'RE PROUD OF THE KEYHOLE GARDEN, PROUD TO FIND NEW WAYS TO GIVE BACK, AND PROUD TO BRING YOU INNOVATIVE VITA PRODUCTS.

**VITA. GLOBAL CITIZENS.**



WHAT IF YOU COULD GROW LARGER, STRONGER PLANTS WITH GREATER YIELD ALL WHILE DOING LESS?

YOU CAN.

WHILE RAISED BEDS MAXIMIZE DRAINAGE, IMPROVE SOIL AND MAKE IT EASIER TO ACCESS, A KEYHOLE GARDEN HAS ALL THE BENEFITS OF RAISED BEDS AND THEN SOME. KEYHOLE GARDENS WITH THEIR ACTIVE COMPOST PILE HOLD MOISTURE AND NUTRIENTS RIGHT THERE IN THE GARDEN BED. THERE IS NO NEED TO REMEMBER TO FERTILIZE PLANTS, TO ADD SOIL TO REPLACE DEPLETED SOIL – YOUR KEYHOLE DOES ALL OF THIS FOR YOU ; AND IT USES 50% LESS WATER.



# TIPS FOR TRAINING PLANTS

\* A 3 TO 4 INCH LAYER OF MULCH REDUCES THE NEED TO WATER BY UP TO 50%

\* CONSIDER COMPANION PLANTING. (GROWING SETS OF PLANTS THAT PROVIDE MUTUAL BENEFITS FOR EACH OTHER)

\* PLANT SEEDS IN A HEX PATTERN RATHER THAN ROWS, THUS ALLOWING PLANTS TO GROW CLOSER TOGETHER. THIS HELPS THE LEAVES SHADE THE PLANTS, HELPING SOIL STAY COOLER AND PREVENTING WATER FROM EVAPORATING.

\* WATER BETWEEN 9 PM AND 6 AM. COOLER TEMPS AND LESS WIND LOWER EVAPORATION RATES.

\* CONTROL WEEDS. THEY COMPETE WITH PLANTS FOR NUTRIENTS, SUNSHINE AND WATER.





CRUSHED EGGSHELLS



VEGETABLE SCRAPS



COFFEE GROUNDS



GRASS CLIPPINGS



TEA BAGS

# GREEN MATERIALS



STALE BREAD



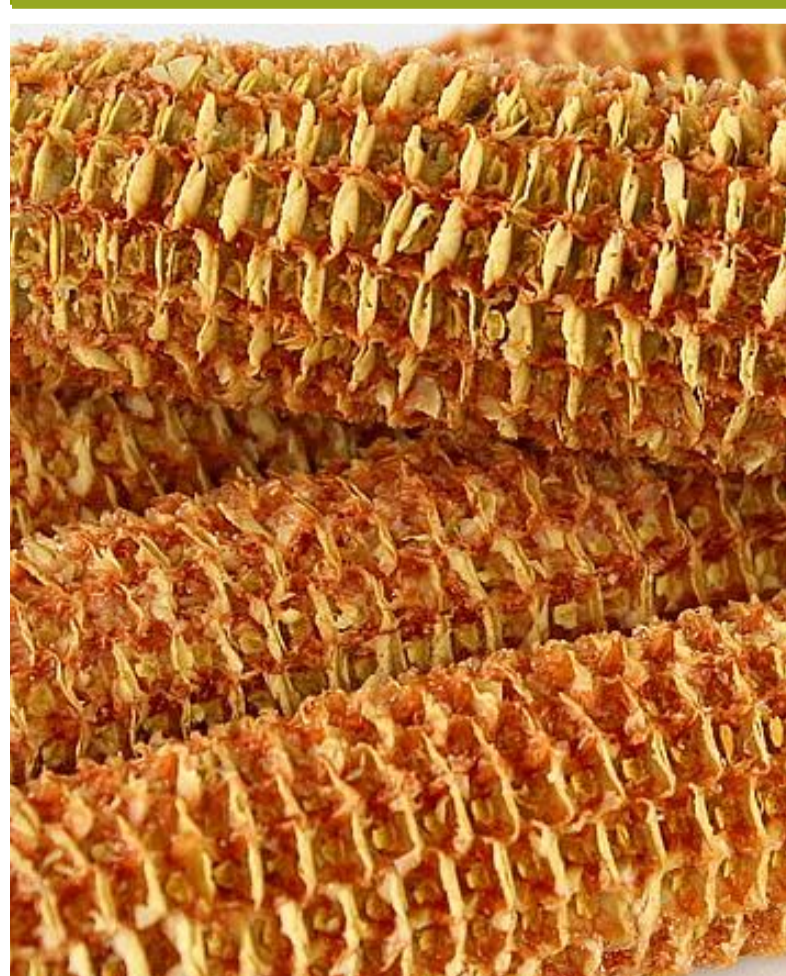
CUT FLOWERS



SHELLFISH SHELLS



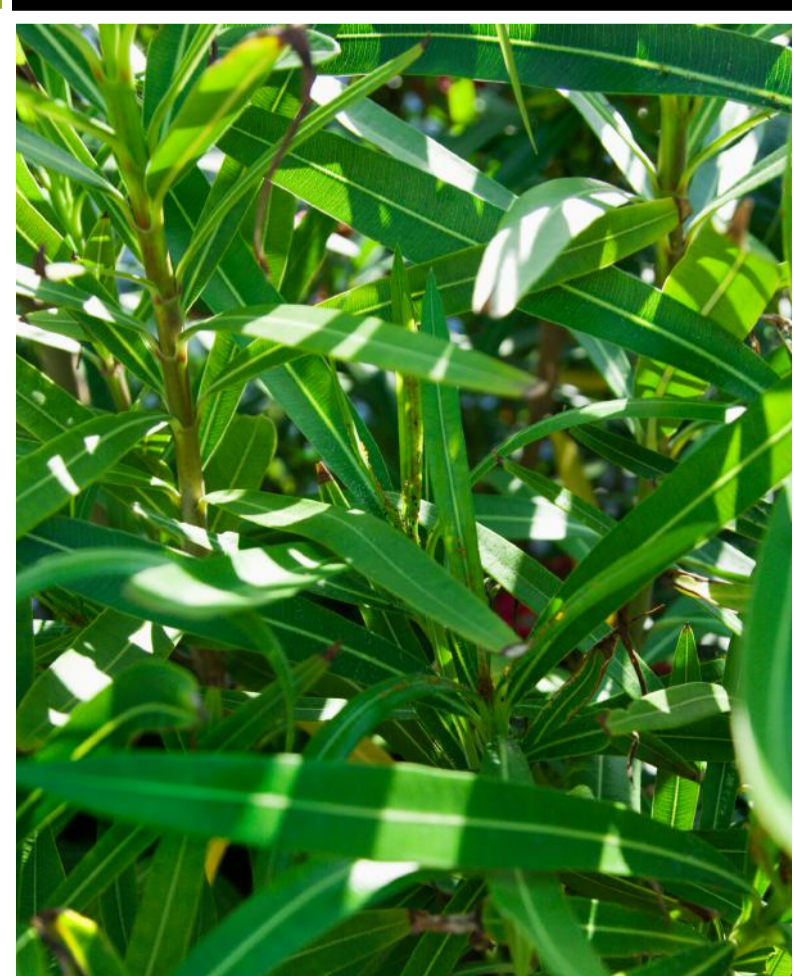
SMALL ANIMAL BEDDING



CORNCOBS



FRUIT PEELS



LEAFY TRIMMINGS





**DRY LEAVES**



**NEWSPAPER**



**DRIED GRASS**



**100% COTTON**



**STRAW**

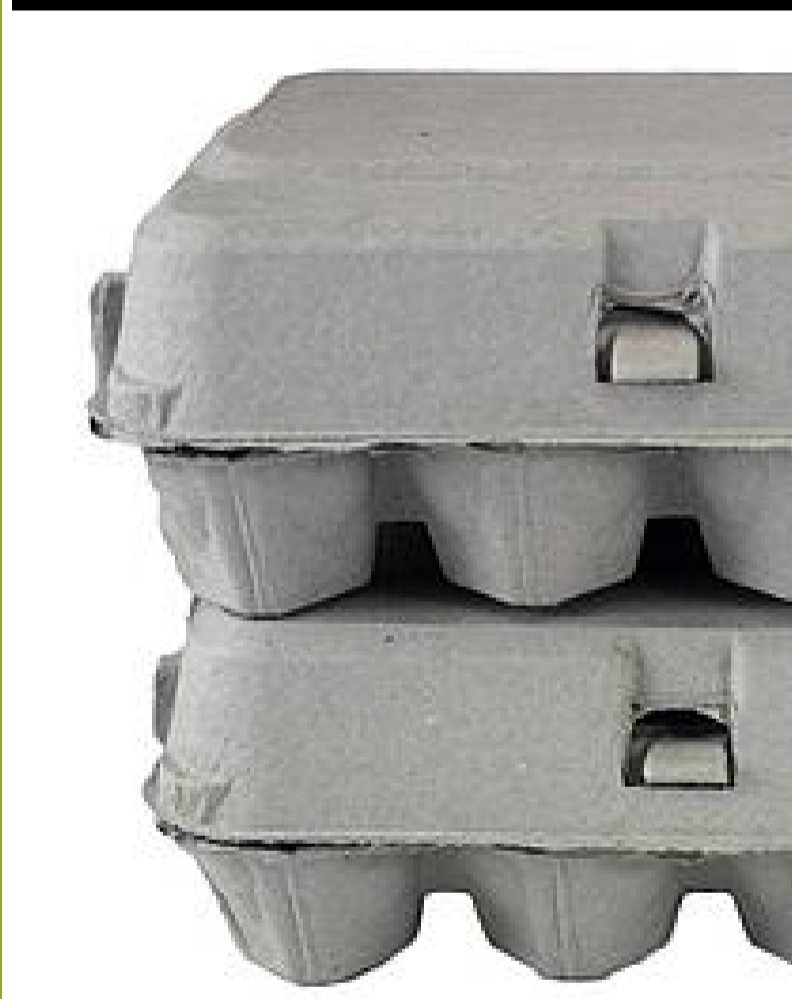
# **BROWN MATERIALS**



**PAPER TOWELS**



**TOILET PAPER ROLLS**



**EGG CARTONS**



**SHRUB PRUNINGS**



**PAPER PLATES**



**PINECONES**



**TWIGS**



# WHAT'S HAPPENING HERE:

## Troubleshooting your compost

### THIS STINKS!

You've likely got too many anaerobic microbes, stirring and turning your compost pile regularly will encourage the less pungent microorganisms to prosper.

### THIS ISN'T HEATING UP

You may be running low on Nitrogen (Green Materials). You want a carbon to nitrogen ratio of about 25 parts carbon to 1 part nitrogen. Try adding crushed eggshells, bread and fresh grass clippings to boost nitrogen.

### THIS HAS BUGS!

Some bugs are beneficial and actually help to aerate your compost pile. Still, if you want fewer bugs, there are some simple ways: active composting generates more heat which is less hospitable to bugs. You can also add a layer of hay and cover with screening.

### THIS SMELLS LIKE AMONIA!

Your compost pile has too much nitrogen. Create a better balance by adding some carbon (brown) materials like straw, dried leaves, paper or sawdust from untreated wood..