

smarTrike® T1

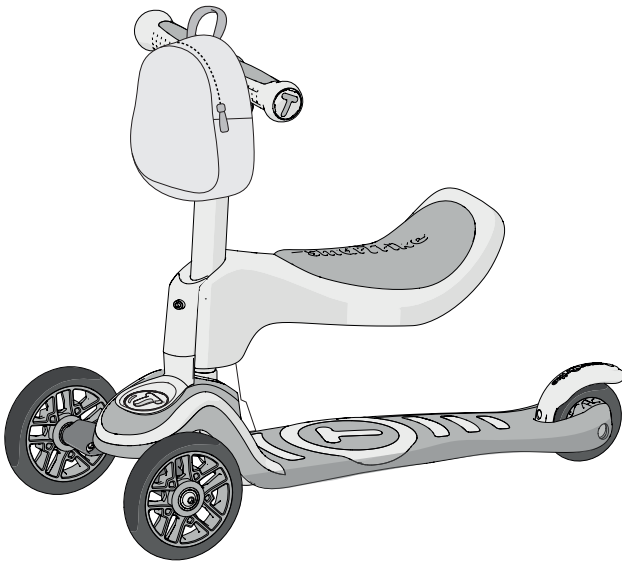
(202)

By/Par smarTrike®

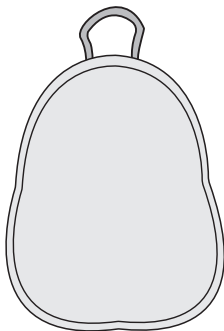
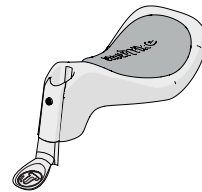
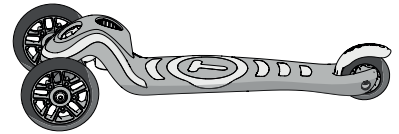
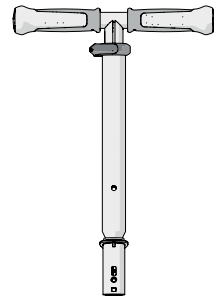


www.smarTrike.com

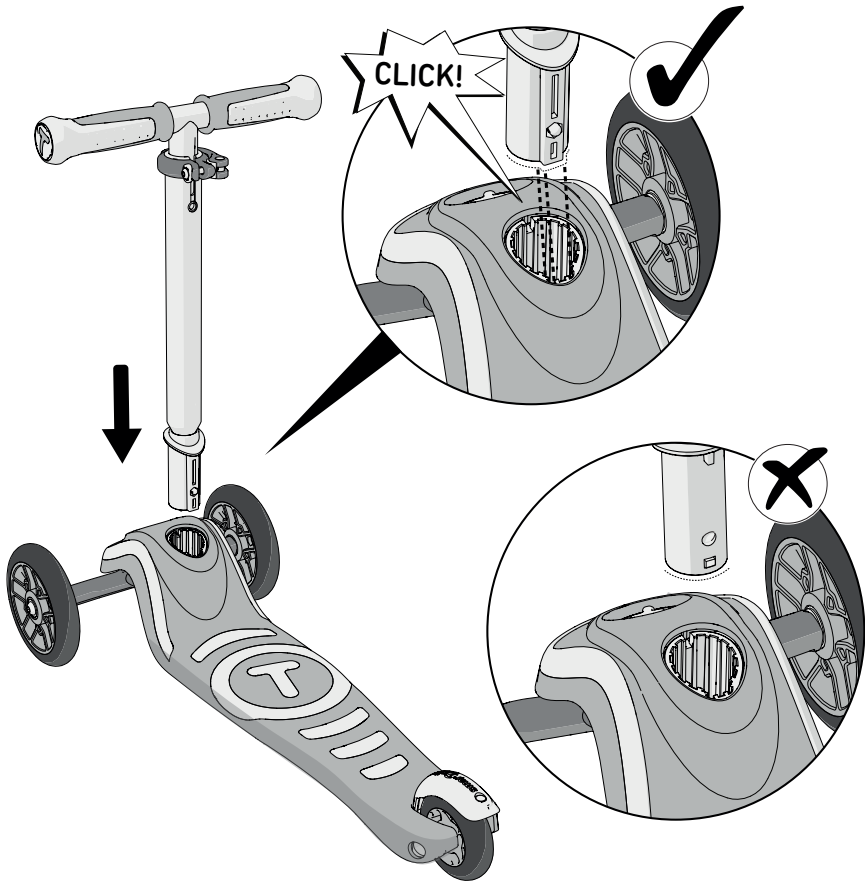
<https://www.youtube.com/user/SmartTrikeOfficial>



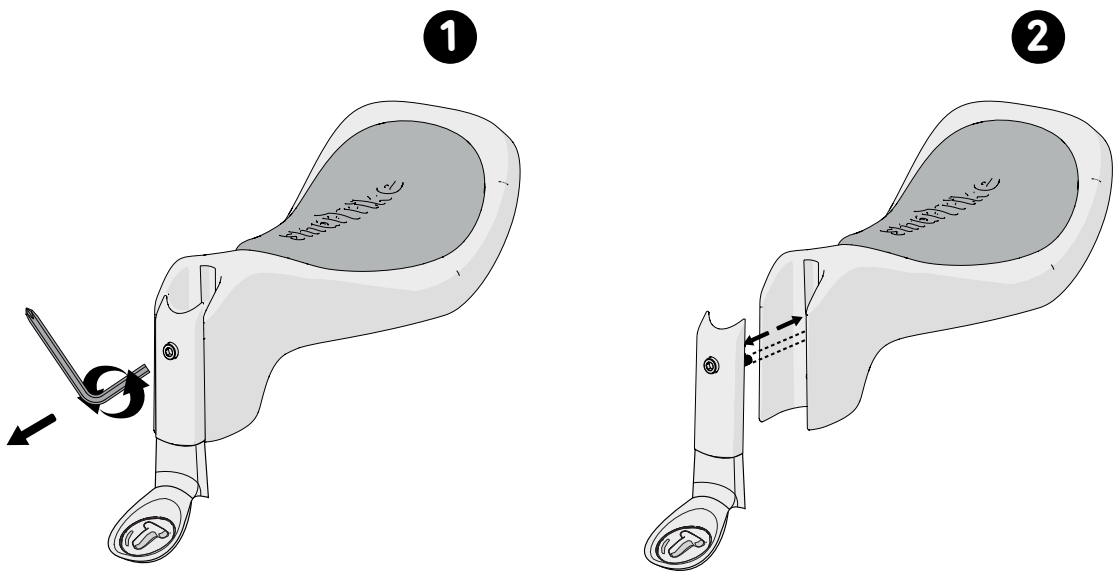
20228334603



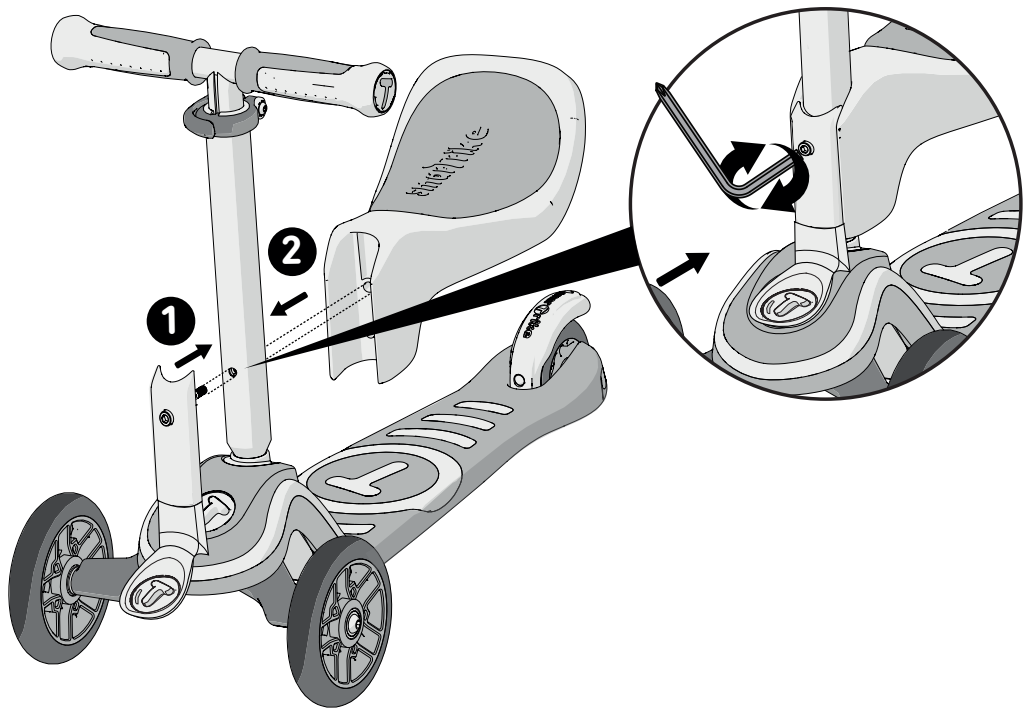
1a



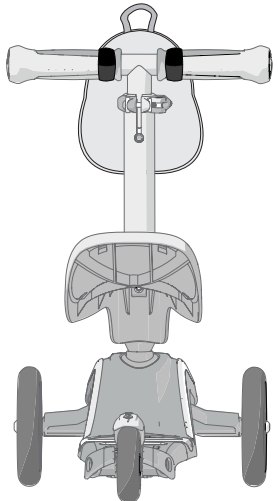
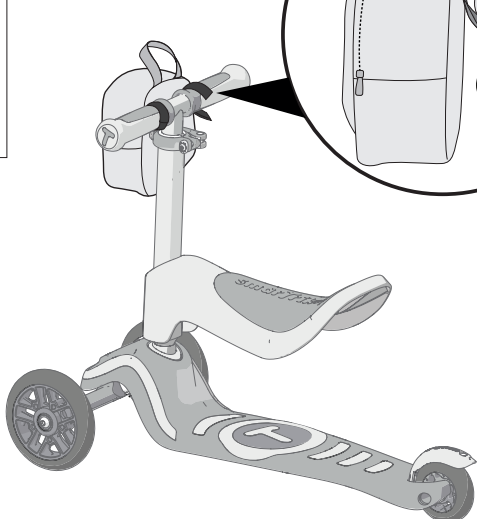
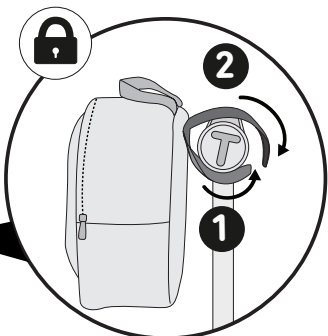
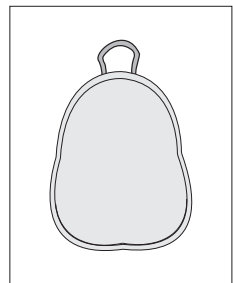
1b

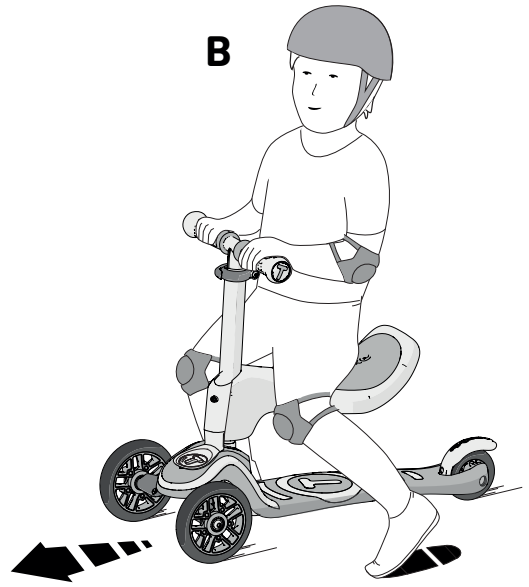


1c

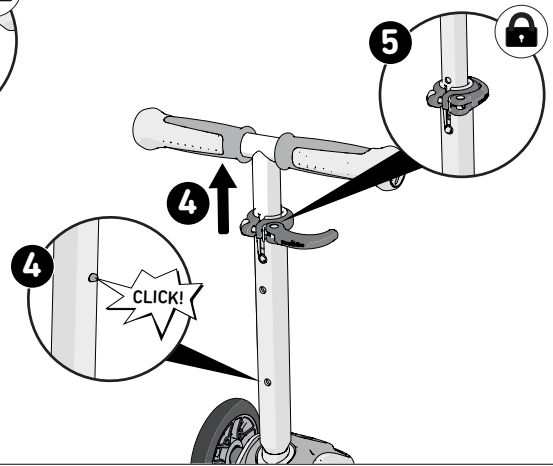
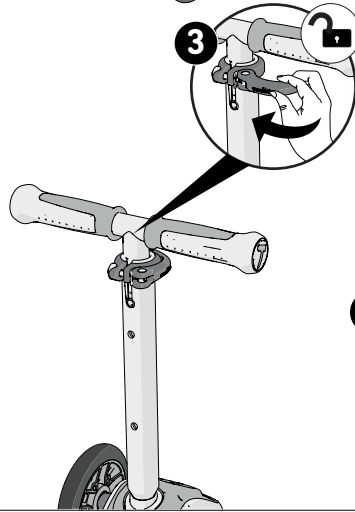
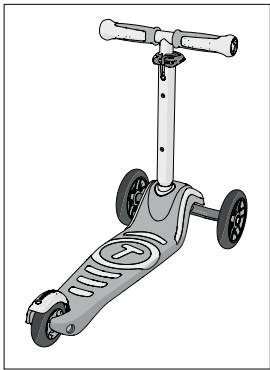
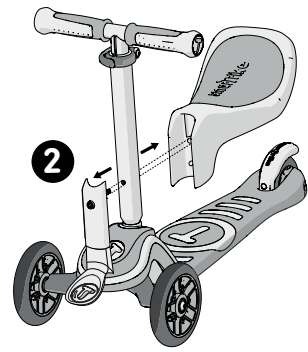
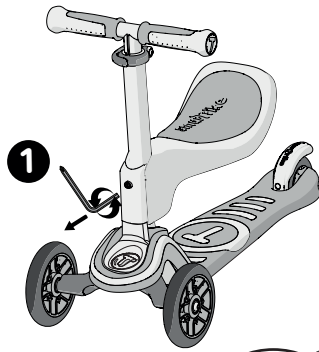


2

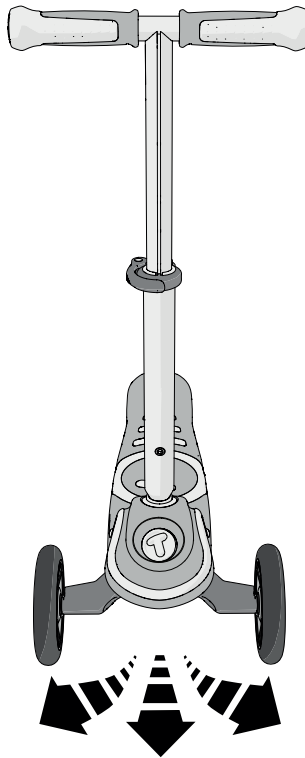
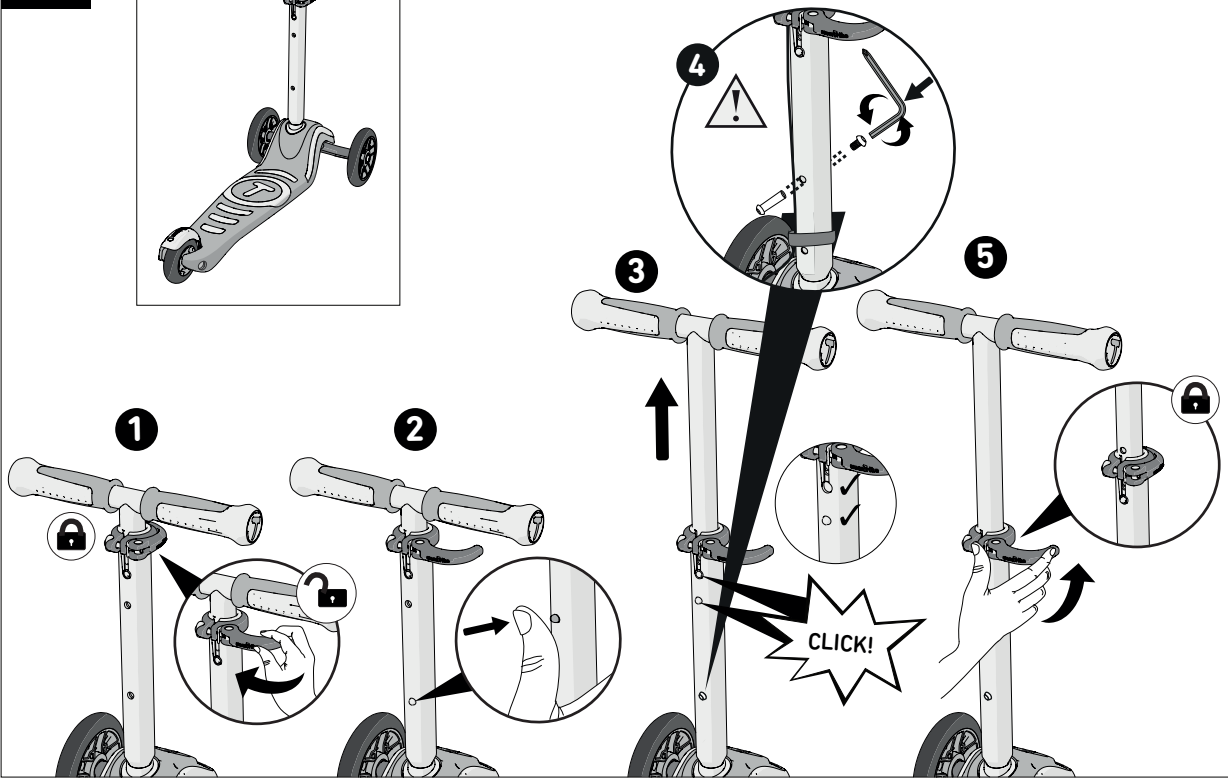
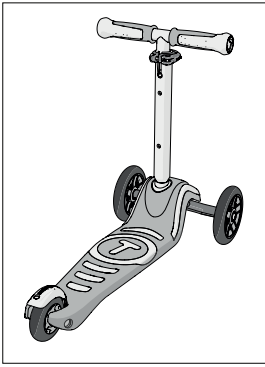


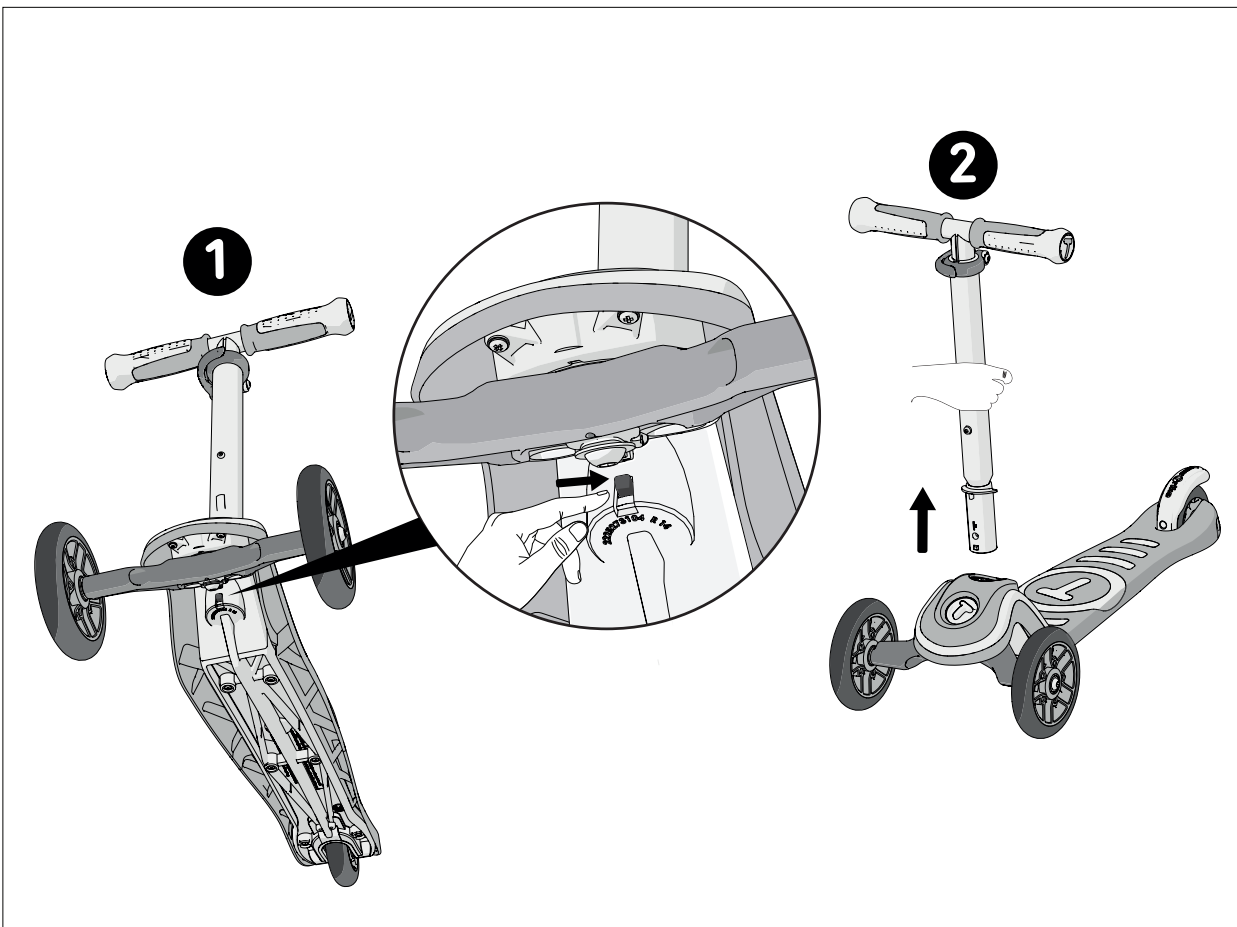
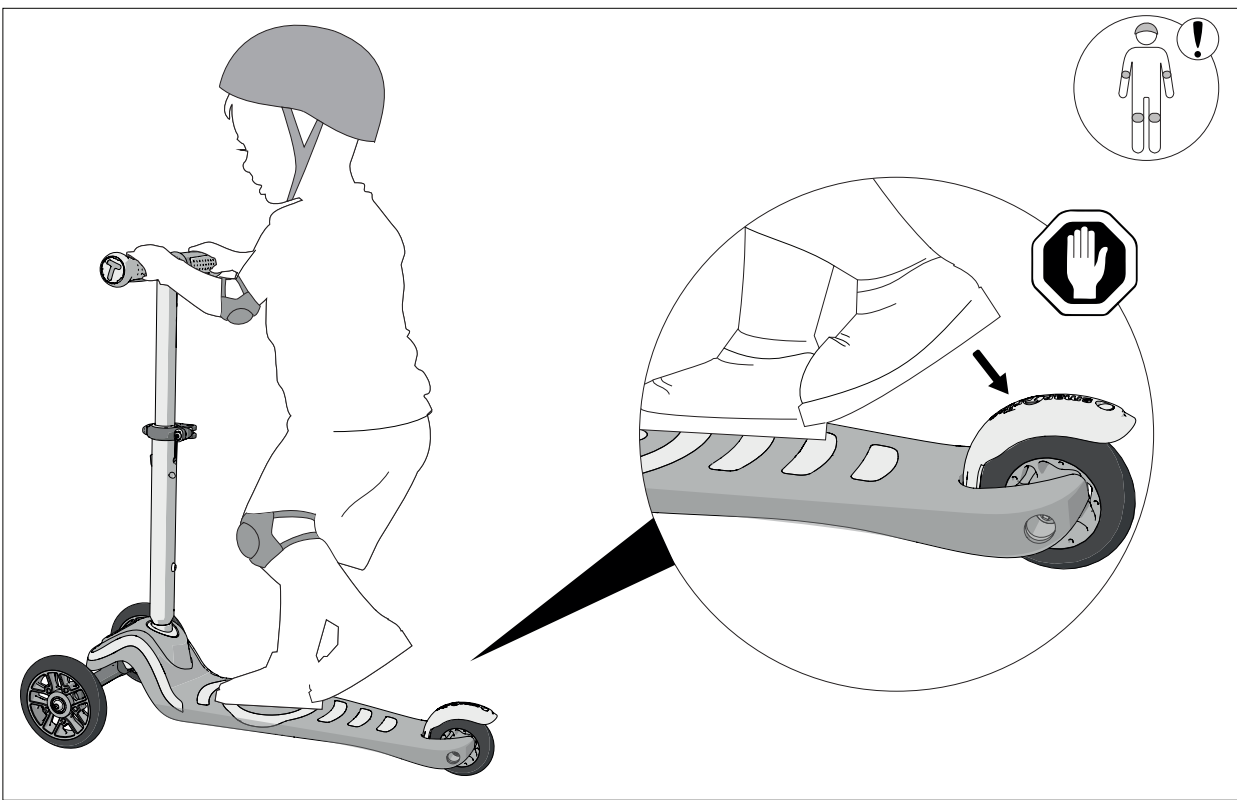


3a

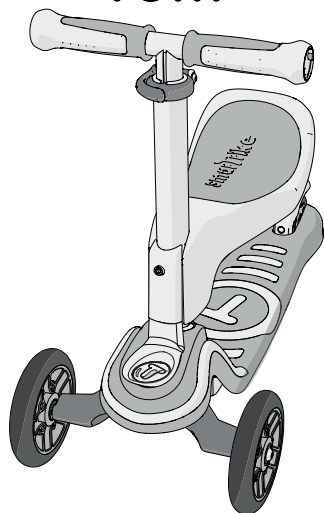


3b

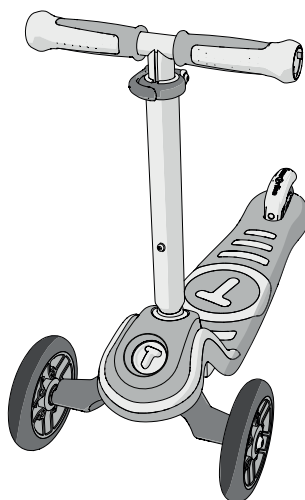




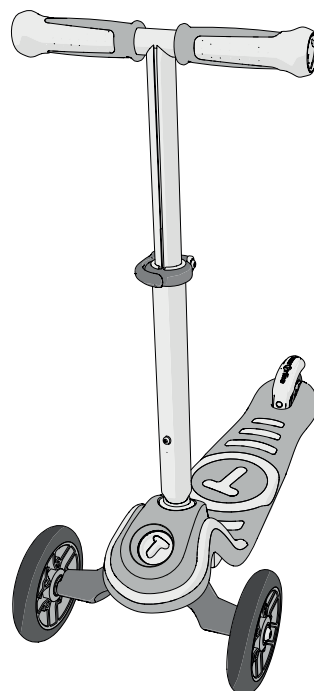
15m+



24m+



36m+



20228334603